

2 - Frame



01 - 2005 S. AG.

2 - Frame

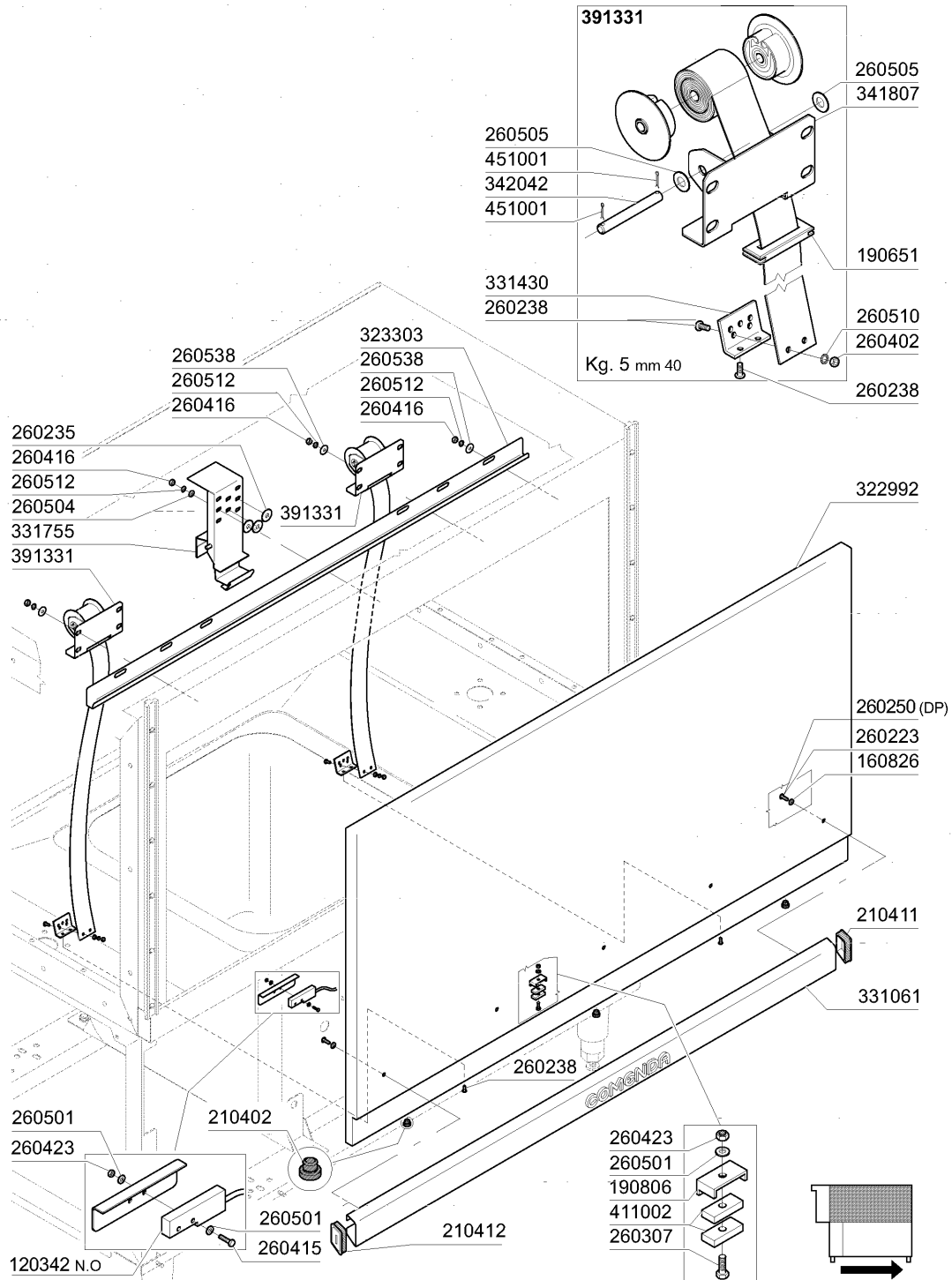
CODE	DESCRIPTION
160805	GASKET D.8
180630	DOUBLE SKINNED DOOR RUNNER -AC
200935	GASKET
210404	BLACK RUBBER FOOT S90 NE SE
260113	STAINL.ST.TE SCREW 8X20 A2 UNI
260116	SCREW TE 8X35
260224	TB-SCREW 6X15 B23-10-11-12
260250	SCREW TB 5X20
260404	STAINLESS STEEL NUTS D6 UNI 55
260406	NUT 8MA
260414	SELF-LOCKING NUT M5
260416	STAINLESS STEEL NUTS M6
260504	ST/ST FLAT WASHER D6
260505	STAINL.STEEL FLAT WASHER D8
260512	ST/ST GROWER WASHER D6
260513	GROWER WASHER D8
260530	STAINL.ST WASHER 7X22X2
260538	WASHER 18X6X1,5 ST/ST
320691	PLATE
321057	LOWER WASH ARM SUPPORT
322585	GUIDE 1300
323303	BRACKET FOR DOOR 1300
323477	TRAVERSA SOST.VASCHE AC/ACR
331116	DOOR SECURITY HOOK
341016	BRAKET FOR DOOR SECURITY HOOK
342471	CAPOT 1300 PER AC ANNO 2001
361038	CHASSIS FOR AC
361062	TRAVERSA TELAIO MOTORID AC2001
361075	TELAIO SOST.CAPOT1300 AC2001
620222	COMPLETE ALUMINIUM LEGS



07 - 2007 S. AG.

3 - Hood

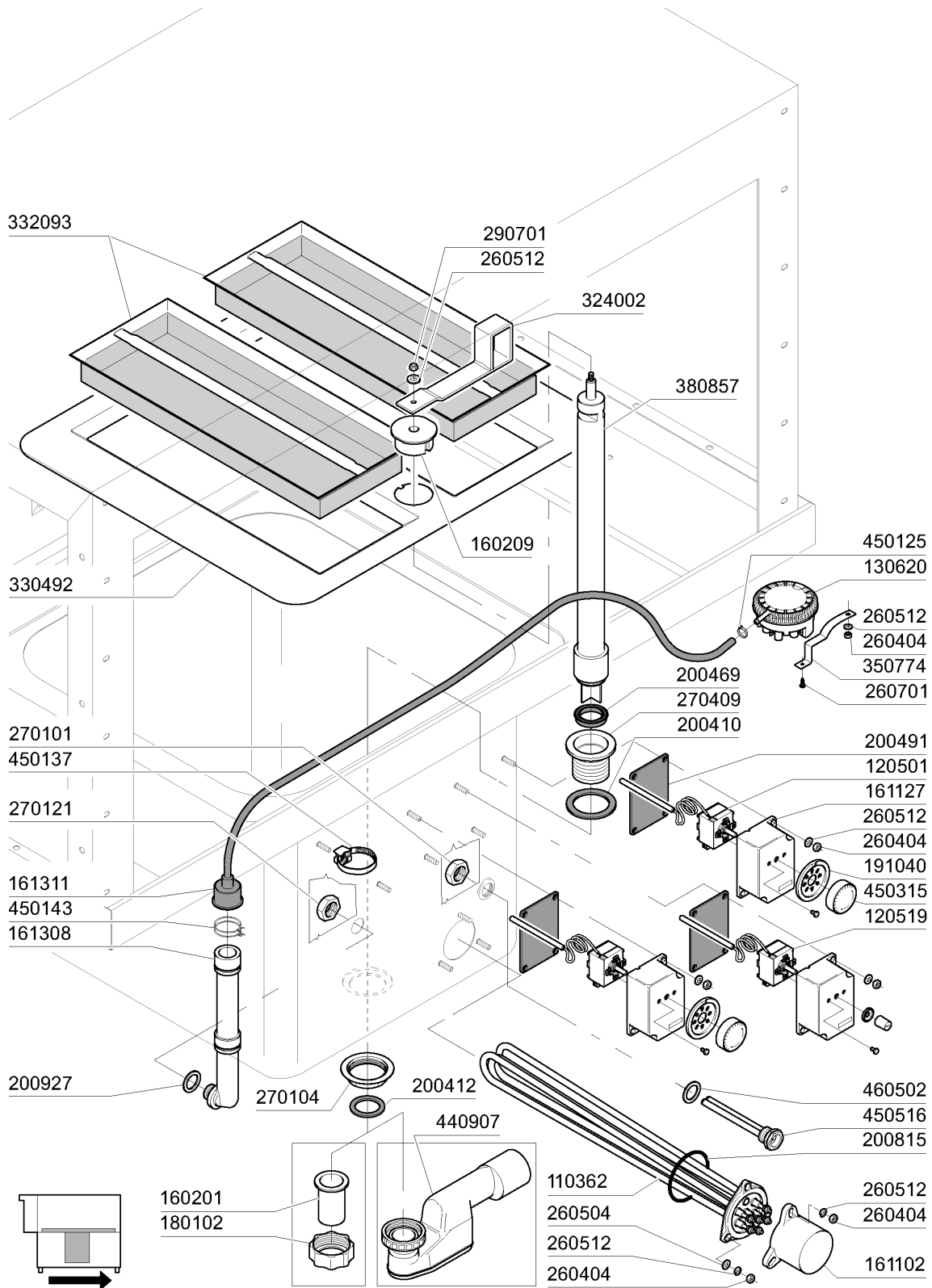
CODE	DESCRIPTION
120320	LIMIT SWITCH WITH LEVER
130453	EMERGENCY RED PUSH BUTTON
190906	CURTAIN IN/OUT 620X480
200402	SELF-ADHES.RUBB.SPONGE STRIPS
200478	SELF-ADHESIVE GASKET 65X4
260112	STAINLESS STEEL TE-SCREW 8X16
260143	SCREW
260205	SCREW TCP 4X16
260223	M5X12 MSH/HD SCREW SPECIAL S/S
260224	TB-SCREW 6X15 B23-10-11-12
260402	STAINLESS STEEL NUT D4 UNI 55
260406	NUT 8MA
260412	SELF-LOCKING NUT M6
260416	STAINLESS STEEL NUTS M6
260510	GROWER WASHER D.4
260512	ST/ST GROWER WASHER D6
260513	GROWER WASHER D8
260530	STAINL.ST WASHER 7X22X2
260538	WASHER 18X6X1,5 ST/ST
260543	WASHER D.6 ST/ST
290701	HEXAGON BLIND NUTS GM H12
330715	UPPER BRACKET CURTAIN SNL-SE
331802	MICRO SWITCH BRACKET AC
331819	BRACKET FOR EMERGENCY PUSH BUT
332377	SQUADR.AGG.PANN.POST.AC/R/2001
340422	SHAFT FOR CURTAIN AC-ACR
341531	HOOD
351637	FRONT PANEL WITH THERMOMETERS
351823	FRONT PANEL ACS91/101
351907	PANN.LAT.LE SX AC COIBENTATE
351908	PANN.LAT.LE DX AC COIBENTATE
351941	BACK PANEL 400
351943	BACK PANEL 900
450905	CAPIL.THERMOMETER D.52 1,5M
460344	PLATE



4 - Door 1300mm

CODE	DESCRIPTION
120342	DOR MAGNETIC SWITCH
160826	GASKET 14X6,2X2 B41-F2
190651	BUSH
190806	MAGNET HOUSING
210402	PAD FOR DOOR 15-149
210411	RIGHT PLUG FOR ACR/AC HANDLE
210412	LEFT PLUG FOR ACR/AC HANDLE
260223	M5X12 MSH/HD SCREW SPECIAL S/S
260235	SCREW
260238	M4 X 10 MUSH/HD SCREW
260250	SCREW TB 5X20
260307	SCREW TSP 3X20
260402	STAINLESS STEEL NUT D4 UNI 55
260415	STAINLESS STEEL SELF-LOCKING N
260416	STAINLESS STEEL NUTS M6
260423	SELF-LOCKING NUT M3
260501	STAINL.STEEL FLAT WASHER D3 UN
260504	ST/ST FLAT WASHER D6
260505	STAINL.STEEL FLAT WASHER D8
260510	GROWER WASHER D.4
260512	ST/ST GROWER WASHER D6
260538	WASHER 18X6X1,5 ST/ST
322992	DOOR AC-ACR 1300MM
323303	BRACKET FOR DOOR 1300
331061	DOOR HANDLE AC-ACR 1300MM
331430	BRACKET FOR DOOR SPRING
331755	HOOK FOR DOOR SUPPORT
341807	SUPPORTO INOX X MOLLA A NASTRO
342042	ALB.GRUPPO MOLLA DI BILANCIAM.
391331	SPRING ASSEMBLY KG. 5 MM 40
411002	PERMANENT MAGNET 24X12
451001	S/STEEL COTTER PIN D.2X24

5 - Wash Tank Components 1300mm

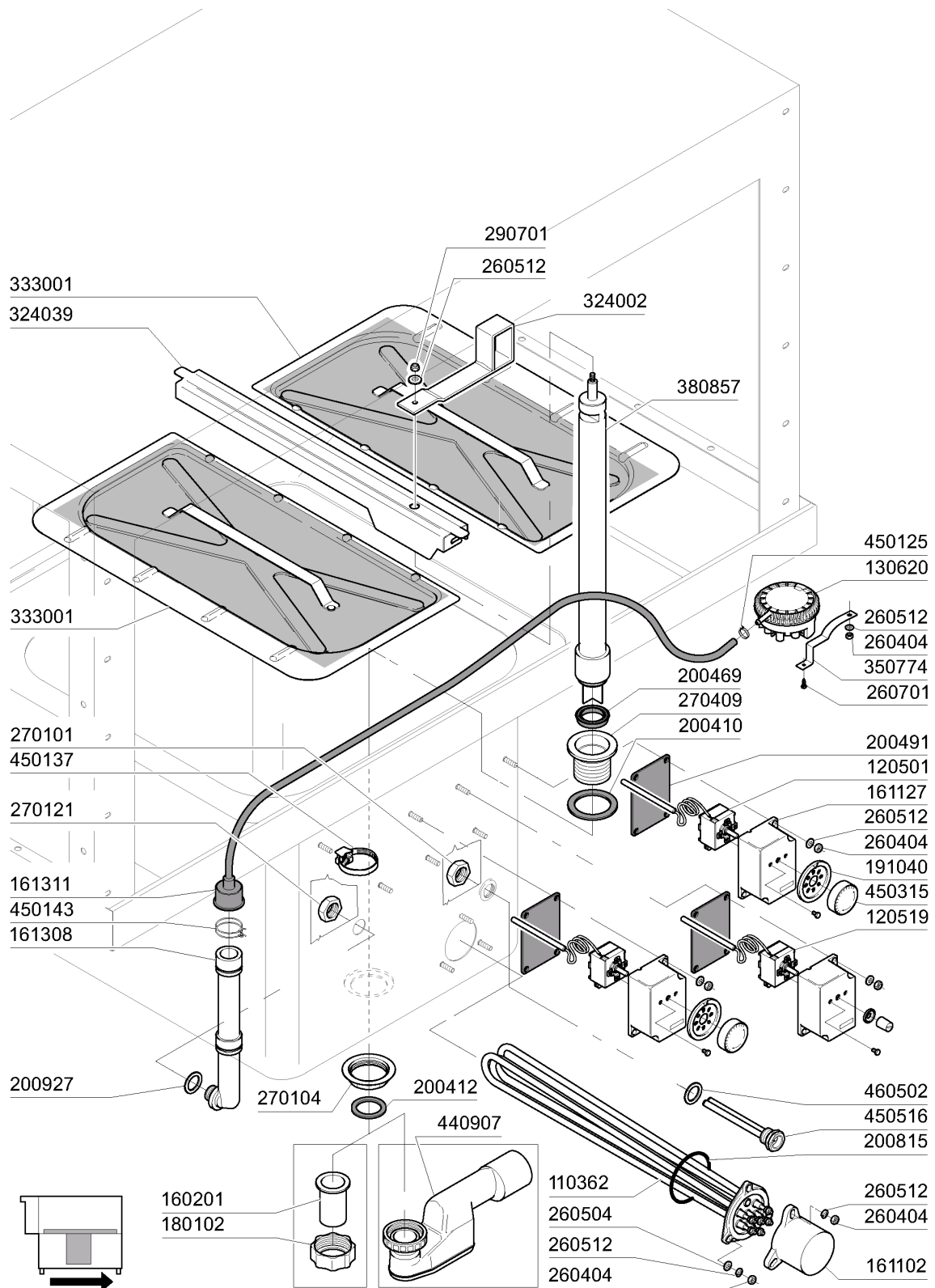


01 - 2005 S. AG.

5 - Wash Tank Components 1300mm

CODE	DESCRIPTION
110362	HEAT.ELEMENT 9000W 220/380V
120501	THERMOSTAT 30/90°C
120519	SECURITY THERMOSTAT 95-125°C
130620	PRESSURE SWITCH 3 LEVEL 50-30/
160201	ELBOW F.TANK INLET MOPLN
160209	ELBOW F.TANK INLET
161102	ELEMENT COVER MOPL.
161127	BOX FOR THERMOSTAT
161308	AIR CHAMBER C95-155
161311	HOSE FOR AIR CHAMBER BC-BR-AC9
180102	DRAIN PIPE NUT 1"1/2 F45-55
191040	FRAME F.THERMOSTAT KNOB
200410	DRAIN OUTL.WASH.1 1/2"65X47X2
200412	GASKET DRAIN 11/2" 45X33X3
200469	STAND PIPE O RING 45X35,5X7
200491	BACK GASKET OF THERMOSTAT BOX
200815	O-RING F. HEAT.ELEM.
200927	GASKET FOR AIR TRAP
260404	STAINLESS STEEL NUTS D6 UNI 55
260504	ST/ST FLAT WASHER D6
260512	ST/ST GROWER WASHER D6
260701	SCREW 3,5X9,5
270101	HEXAGON LOCK NUT 1/2"
270104	LOCK NUT 1" 1/2
270121	NUT FOR AIR TRAP
270409	DRAIN OUTLET AC-ACR
290701	HEXAGON BLIND NUTS GM H12
324002	OVERFLOW PIPE LEVER ACS
330492	WASH FILTER SUPPORT ACS
332093	STRAINER FOR WASH TANK ACS
350774	BRACKET
380857	OVERFLOW PIPE FOR WASH TANK
440907	SIPHON 1"1/2
450125	ELASTIC CLAMP D. 10,4X9,8
450137	COLLAR CONNECTION WITH BASE 31
450143	CLAMP D.39,7 X 37,7
450315	KNOB F. THERMOSTAT 90°C
450516	THERMOSTAT SHIELD FOR 2 TERMOS
460502	GASKET 30X21X2

6 - Wash Tank Components 1300mm



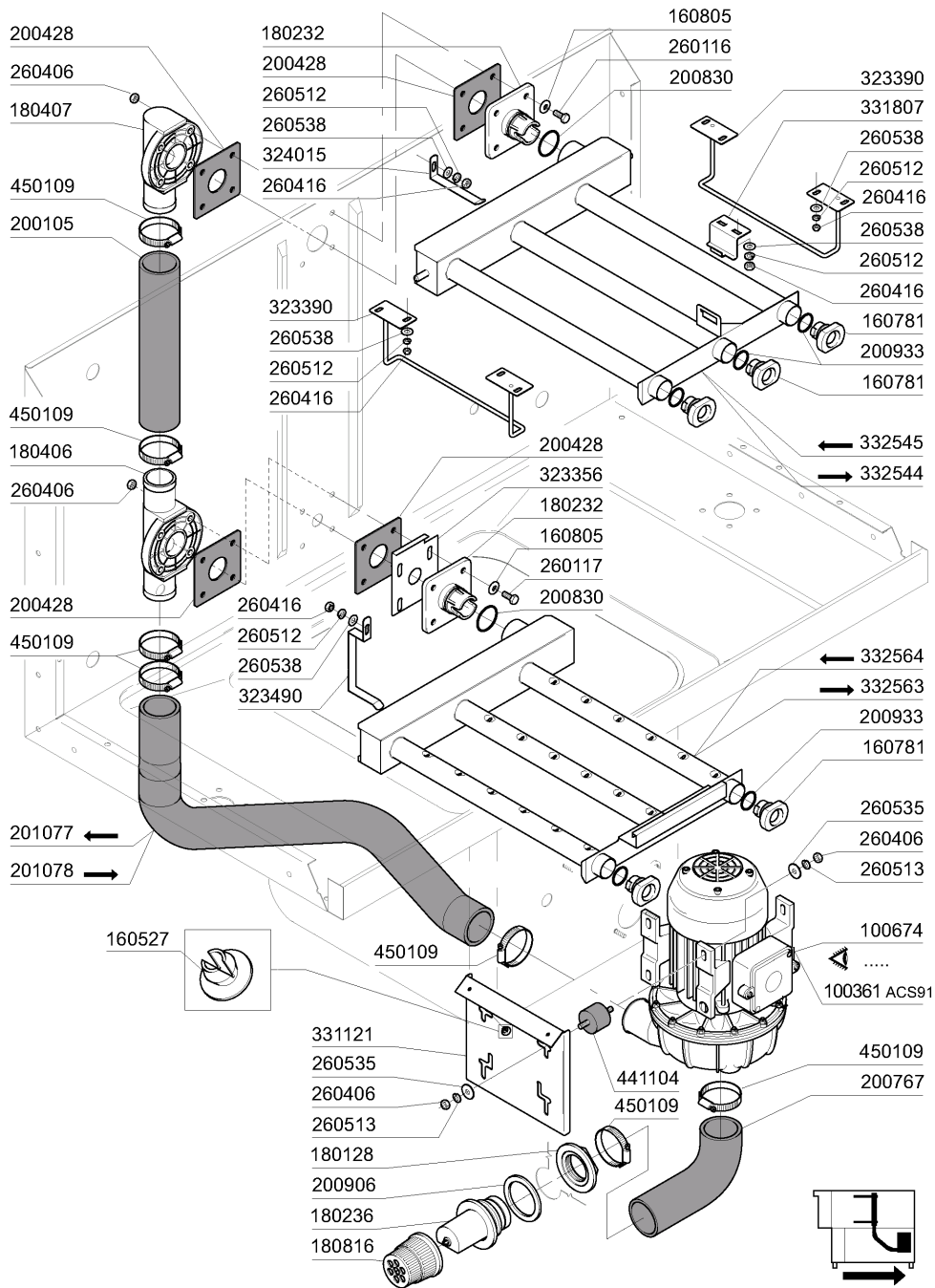
ed. 2005

01 - 2005 S. AG.

6 - Wash Tank Components 1300mm

CODE	DESCRIPTION
110362	HEAT.ELEMENT 9000W 220/380V
120501	THERMOSTAT 30/90°C
120519	SECURITY THERMOSTAT 95-125°C
130620	PRESSURE SWITCH 3 LEVEL 50-30/
160201	ELBOW F.TANK INLET MOPLN
161102	ELEMENT COVER MOPL.
161127	BOX FOR THERMOSTAT
161308	AIR CHAMBER C95-155
161311	HOSE FOR AIR CHAMBER BC-BR-AC9
180102	DRAIN PIPE NUT 1"1/2 F45-55
191040	FRAME F.THERMOSTAT KNOB
200410	DRAIN OUTL.WASH.1 1/2"65X47X2
200412	GASKET DRAIN 1 1/2" 45X33X3
200469	STAND PIPE O RING 45X35,5X7
200491	BACK GASKET OF THERMOSTAT BOX
200815	O-RING F. HEAT.ELEM.
200927	GASKET FOR AIR TRAP
260404	STAINLESS STEEL NUTS D6 UNI 55
260504	ST/ST FLAT WASHER D6
260512	ST/ST GROWER WASHER D6
260701	SCREW 3,5X9,5
270101	HEXAGON LOCK NUT 1/2"
270104	LOCK NUT 1" 1/2
270121	NUT FOR AIR TRAP
270409	DRAIN OUTLET AC-ACR
290701	HEXAGON BLIND NUTS GM H12
324002	OVERFLOW PIPE LEVER ACS
324039	FILTER GUIDE 900/1300 ACS
333001	STRAINER 900 ACS
350774	BRACKET
380857	OVERFLOW PIPE FOR WASH TANK
440907	SIPHON 1"1/2
450125	ELASTIC CLAMP D. 10,4X9,8
450137	COLLAR CONNECTION WITH BASE 31
450143	CLAMP D.39,7 X 37,7
450315	KNOB F. THERMOSTAT 90°C
450516	THERMOSTAT SHIELD FOR 2 TERMOS
460502	GASKET 30X21X2

7 - Wash Column



01 - 2005 S. AG.

7 - Wash Column

CODE	DESCRIPTION
100361	PUMP HP 2-220/380-50HZ-120404
100674	PUMP HP 3 V.220-415-50HZ-1205
160527	PLUG 14,5X2X8
160781	PLUG FOR COLLECTOR NEW AC
160805	GASKET D.8
180128	RING NUT 65,4 C140 C85
180232	WASH ARM FLANGE SNL
180236	PUMP SUCTION FOR AC-ACR-C155
180406	T-CONNECTOR F. WASHING S90-SNL
180407	ELBOW S90 S N L
180816	STRAINER OF INLET PUMP AC-ACR
200105	RUBBER HOSE 50X60
200428	GASKET 100X100X3 NEOTEN
200767	OUTLET HOSE WASH ACR
200830	O-RING 37,3X44,5X3,6
200906	GASKET D.92X66X2
200933	OR 24/32/4 FOR PLUG COLLECTOR
201077	DELIVERY HOSE
201078	OUTLET HOSE
260116	SCREW TE 8X35
260117	SCREW 8X40
260406	NUT 8MA
260416	STAINLESS STEEL NUTS M6
260512	ST/ST GROWER WASHER D6
260513	GROWER WASHER D8
260535	STAINL.ST WASHER 24X8,5X2
260538	WASHER 18X6X1,5 ST/ST
323356	REGULAT. LOWER ARM BRACKET AC
323390	GUIDE
323490	BRACKET
324015	SQUADRETTA SOST.COLL.SUP. ACS
331121	FIXING PLATE FOR PUMP ACR
331807	BRACKET
332544	UPPER WASH ARM 1300 L/R ACS
332545	UPPER WASH ARM ACS
332563	LOWER WASH ARM 1300 L/R
332564	LOWER WASH ARM 1300 R/L
441104	VIBRATION-DAMPING FEET FOR ACR
450109	CLAMP 50-65



8 - Drive unit

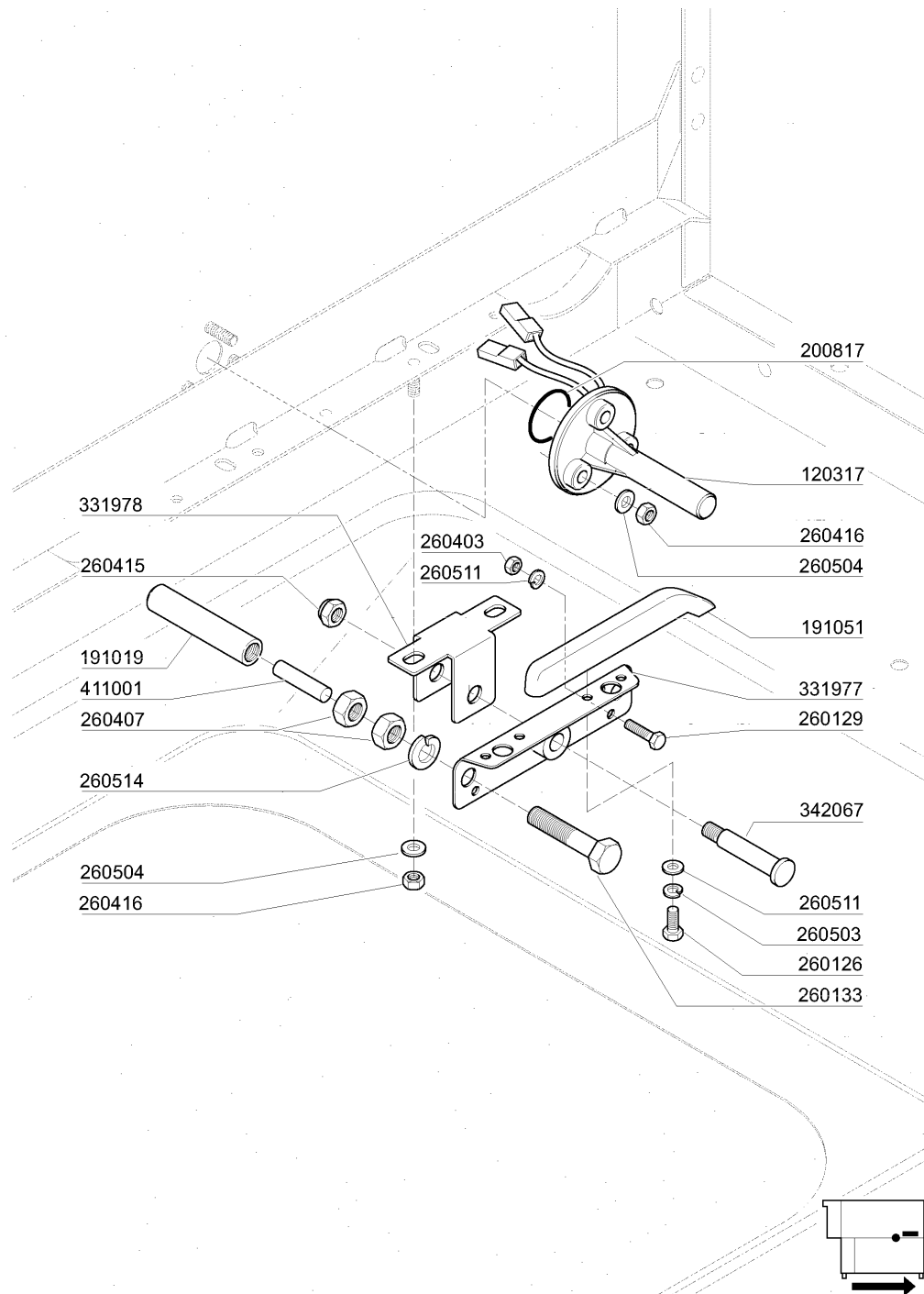
CODE	DESCRIPTION
100220	DRIVE MOTOR KW0,12-220/380V/50
100225	DRIVE MOTOR KW 0,12-220/380V-6
100246	DRIVE KW 0,1-0,15 380/3
100252	DRIVE MOTOR 0,1-0,15KW 380/60
190145	SUPPORT F.PAWL BAR GUIDE AC
190146	CLAMPING PIECES AC
200803	OR GASKET 3,53X98,02X105,08
250203	GRUB SCREW 8X12
250204	GRUB SCREW 6X6
260105	SCREW TE 6X20
260113	STAINL.ST.TE SCREW 8X20 A2 UNI
260116	SCREW TE 8X35
260118	SCREW 8X50
260126	SCREW TE 5X12
260153	SCREW TE 6X35
260235	SCREW
260406	NUT 8MA
260412	SELF-LOCKING NUT M6
260414	SELF-LOCKING NUT M5
260416	STAINLESS STEEL NUTS M6
260503	STAINL.STEEL FLAT WASHER D5 UN
260504	ST/ST FLAT WASHER D6
260505	STAINL.STEEL FLAT WASHER D8
260512	ST/ST GROWER WASHER D6
260513	GROWER WASHER D8
320668	PLATE
322196	BRACKET
322277	SUPPORT FOR GUIDE AC
322609	PAWL BAR GUIDE
324017	PIASTRA SUPP.MOTORID.ACS D-S
324026	SUPPORT
331982	RIGHT COVER
331983	LEFT COVER
340288	CHANNEL F.DRIVE BEARING S3Ø-SE
342020	PIN
410224	TURNED PINION Z18-1/2"-D.20
410225	TURNED PINION Z22-1/2"-D.20
410227	TURNED PINION Z16-1/2"-D.20
410231	TURNED PINION Z14 1/2"-D.20
410240	TURNED PINION Z17-1/2"-D.20
410243	TURNED PINION Z26-1/2"-D.20
410250	TURNED PINION Z30 1/2" D.20
410301	CROWN DISCS 28T PITCH 1/2"
410310	CROWN Z 26 1/2"
410311	CROWN DISCS 30T 1/2"
410312	CROWN DISCS 22T
410347	CROWN DISCS 19T 1/2PITCH
410407	TORQUE LIMITER LC 1
410801	DRIVE CHAIN 1/2" N-S
410902	FALSE CHAIN LINK 1/2"
410903	CHAIN JOINT 1/2"
441122	DRIVE SHAFT KEY 6X6X25 UNI 660
451002	COTTER PIN STAINL.ST. D2X12
510425	PAWL LOAD. AC/ACR
620144	DRIVE ASSEMBLY
620761	GUIDE ACS91/101/122



01 - 2005 S. AG.

9 - Drive unit

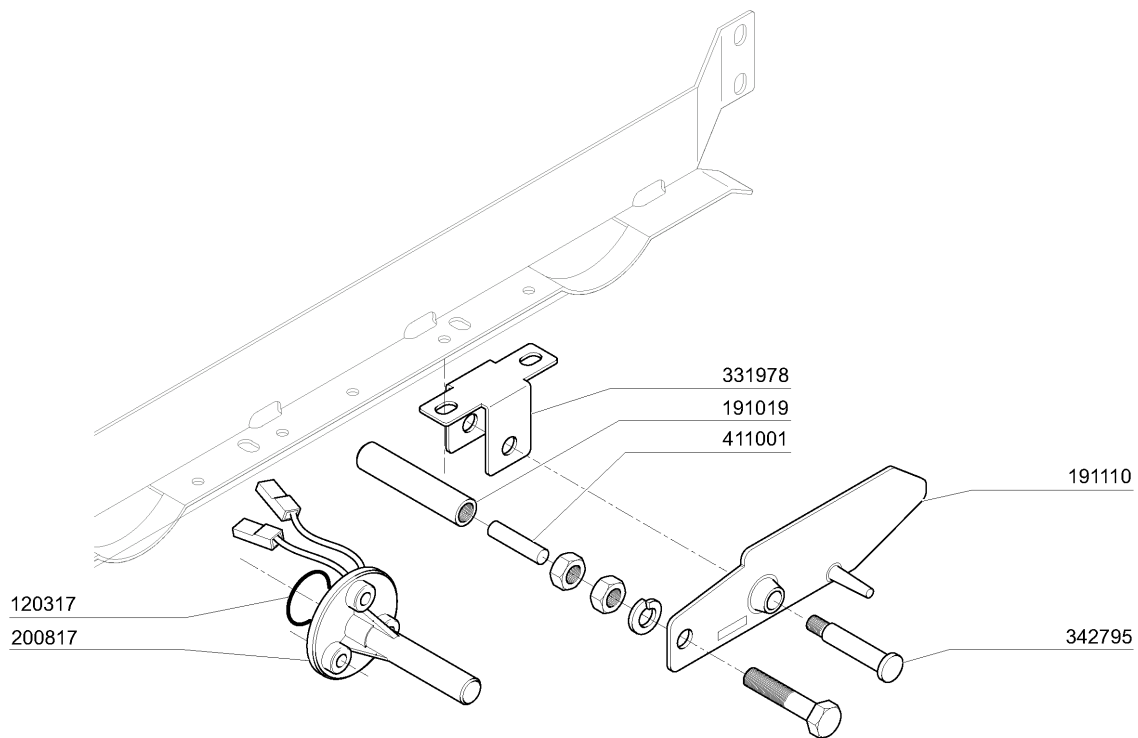
CODE	DESCRIPTION
200803	OR GASKET 3,53X98,02X105,08
260415	STAINLESS STEEL SELF-LOCKING N
260505	STAINL.STEEL FLAT WASHER D8
260546	SLIDING WASHER STAINLESS STEEL
290813	PACKING PIECES BRASS S-F2
290815	DISTANCE PIECE S3Ø BRASS
290817	BRASS DISTANCE PIECE 24X14
340443	CRANK SHOULDER PIN
340494	DRIVE SHAFT S 3Ø
410109	BEARINGS 17X40X12 6203
410120	BALL BEARING 17X35X10
410126	BEARING 6201-2RS Z15
440407	SEAL MIM 20X35X7
440411	SEAL 17X40X7
441122	DRIVE SHAFT KEY 6X6X25 UNI 660
451121	ELAST.ROLL PINS 6X30
510298	DRIVE HOUSING S 3Ø
510299	NICKELPLATED BRASS DRIVE CRANK
620144	DRIVE ASSEMBLY
631701	GREASE NIPPLE 9003



01 - 2005 S. AG.

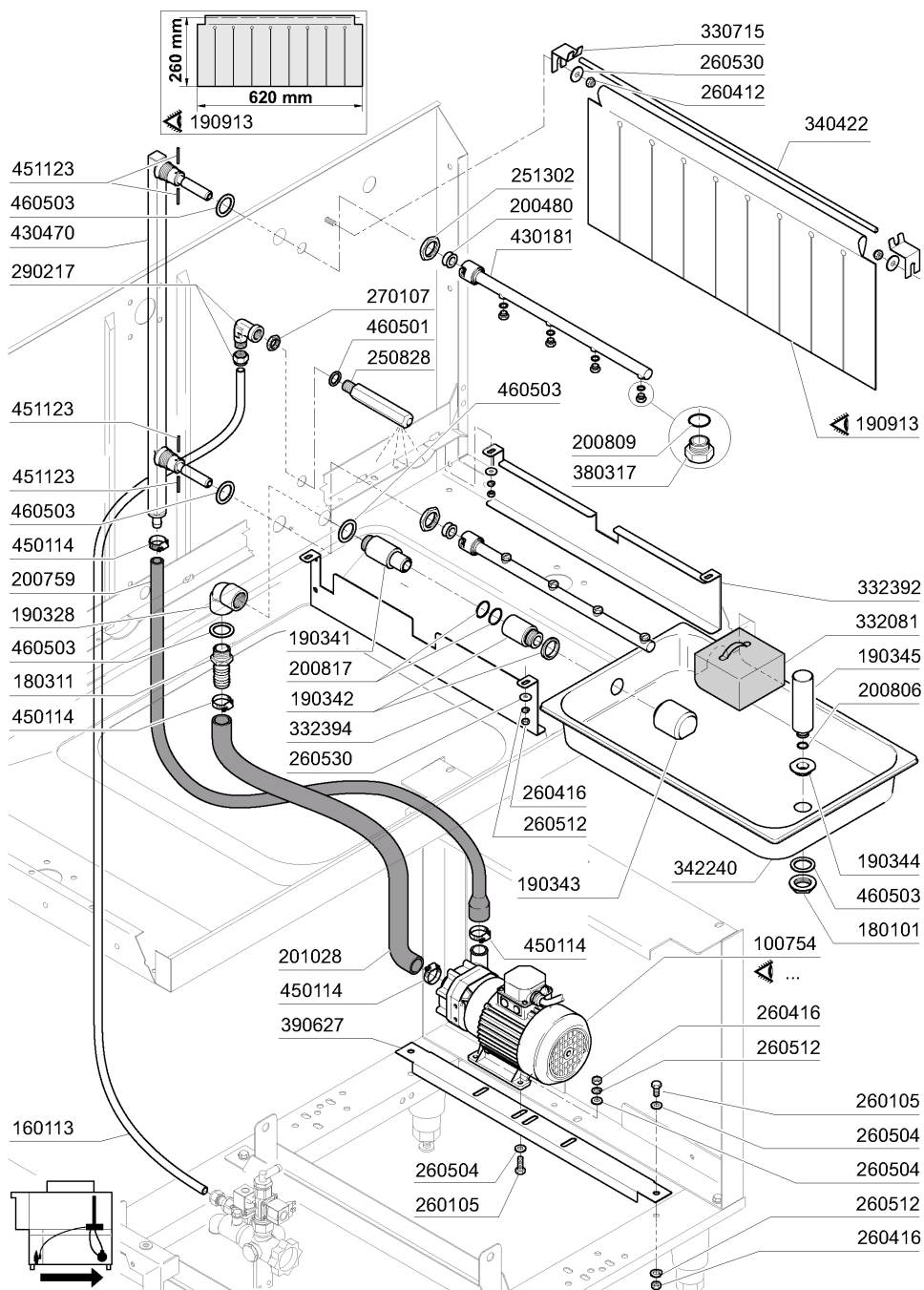
10 - Economiser

CODE	DESCRIPTION
120317	RINSE MICROSWITCH
191019	MAGNET HOUSING S90 MOPL.-S.N.L
191051	SLIDING PAD SE SNL ECONOMIZER
200817	O-RING 1,78X25,12X28,68-2100
260126	SCREW TE 5X12
260129	SCREW TE M 5X20
260133	SCREW 10X55
260403	NUTS D.5
260407	STAINLESS STEEL NUTS D10 UNI 5
260415	STAINLESS STEEL SELF-LOCKING N
260416	STAINLESS STEEL NUTS M6
260503	STAINL.STEEL FLAT WASHER D5 UN
260504	ST/ST FLAT WASHER D6
260511	GROWER WASHER D.5
260514	GROWER WASHER D.10
331977	ECONOMISER LEVER AC
331978	BRACKET ECONOMISER LEVER AC
342067	PIN FOR ECONOMISER
411001	PERMANENT MAGNET 8X40



11 - Economiser

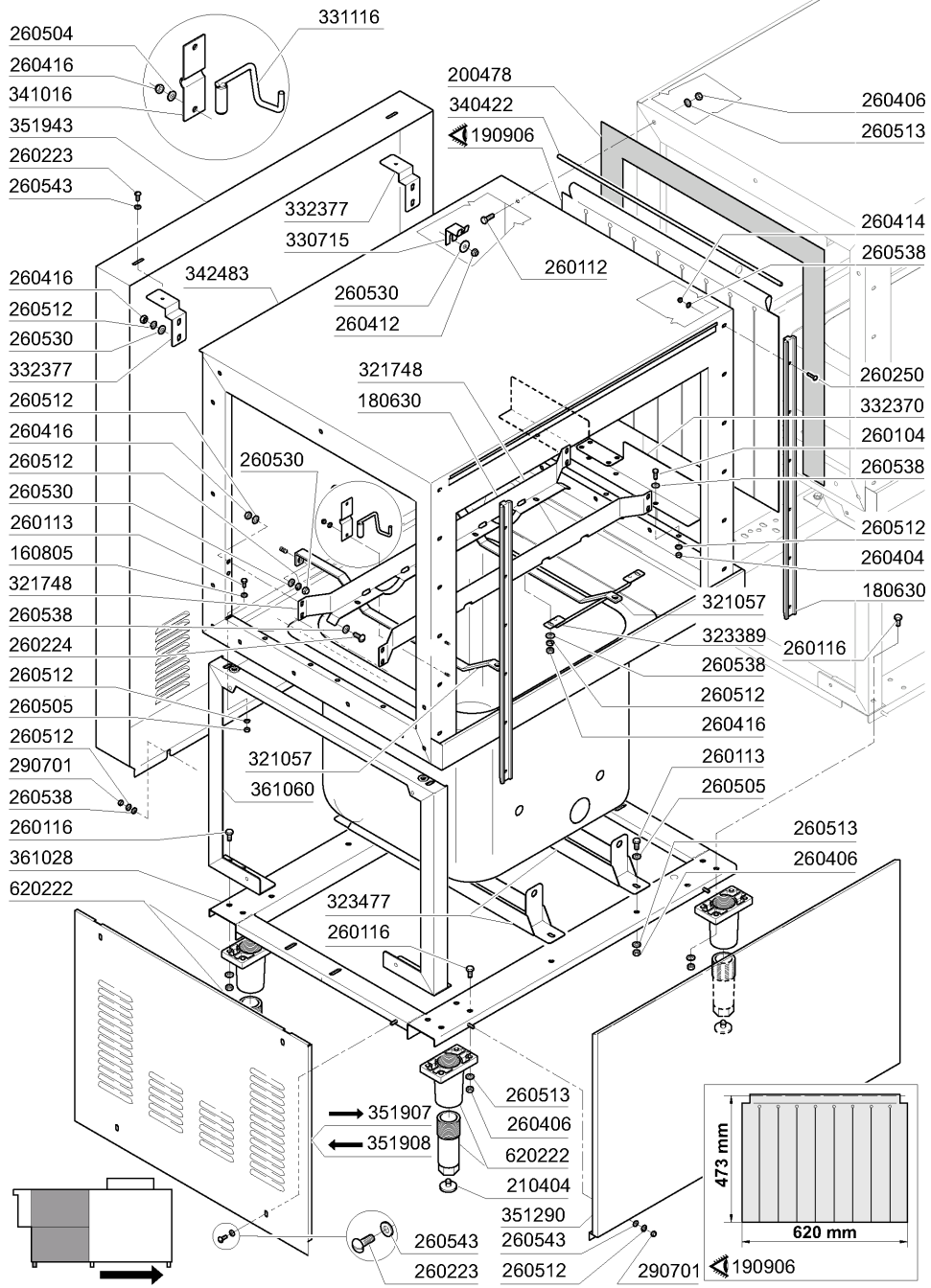
CODE	DESCRIPTION
120317	RINSE MICROSWITCH
191019	MAGNET HOUSING S90 MOPL.-S.N.L
191110	ECONOMISER LEVER
200817	O-RING 1,78X25,12X28,68-2100
331978	BRACKET ECONOMISER LEVER AC
342795	PIN
411001	PERMANENT MAGNET 8X40



07 - 2007 S. AG.

CODE	DESCRIPTION
100754	PUMP HP 0,2-220/380 50HZ 4226
160113	TUBE IN POL. RETIC. 12 EST
180101	RETAIN.NUT 3/4" B23-10-11-12
180311	STRAIGHT NIPPLES 3/4"X25
190328	DRAIN 3/4"
190341	SEDE ATTACCO VASCHETTA
190342	ELBOW
190343	BOCCHETTA ASP.VASCH.ECOR.AC
190344	SEDE PER TAPPO ECORINSE AC2001
190345	ECORINSE OVERFLOW PIPE
190913	CURTAIN FOR ECORINSE SE-620X27
200480	GASKET F. RINSE CONNECT.
200759	DELIVERY HOSE FOR ECORINSE AC-
200806	O-RING 2,62X13,10X18,34
200809	OR GASKET 1,78X8,73X12,29
200817	O-RING 1,78X25,12X28,68-2100
201028	OUTLET HOSE F. PREWASH 400MM A
250828	JOIN
251302	S/S LOCK NUT 3/4" AC-ACR
260105	SCREW TE 6X20
260412	SELF-LOCKING NUT M6
260416	STAINLESS STEEL NUTS M6
260504	ST/ST FLAT WASHER D6
260512	ST/ST GROWER WASHER D6
260530	STAINL.ST WASHER 7X22X2
270107	BRASS LOCK NUT 3/8" FL803
290217	HOSE CLAMP ELBOW 12X3/8" TYPE
330715	UPPER BRACKET CURTAIN SNL-SE
332081	ECONRINSE STRAINER AC
332392	TRAV.AGG.ECOR.IN USCITA AC2001
332394	ECORINSE TANK SUPPORT
340422	SHAFT FOR CURTAIN AC-ACR
342240	VASC.ECORINSE AC ANNO2001
380317	RINSE JETS OV 1/8" 303 125LT 8
390627	PUMP SUPPORT
430181	ECORINSE ARM AC
430470	COLONNA ECORINSE AC ANNO 2001
450114	CLAMP FE ZN.22-32 H=12,2
451123	ELASTIC PIN 4X16
460501	GASKET 24X17X2
460503	SEALING WASHER 38X27X2(3/4)

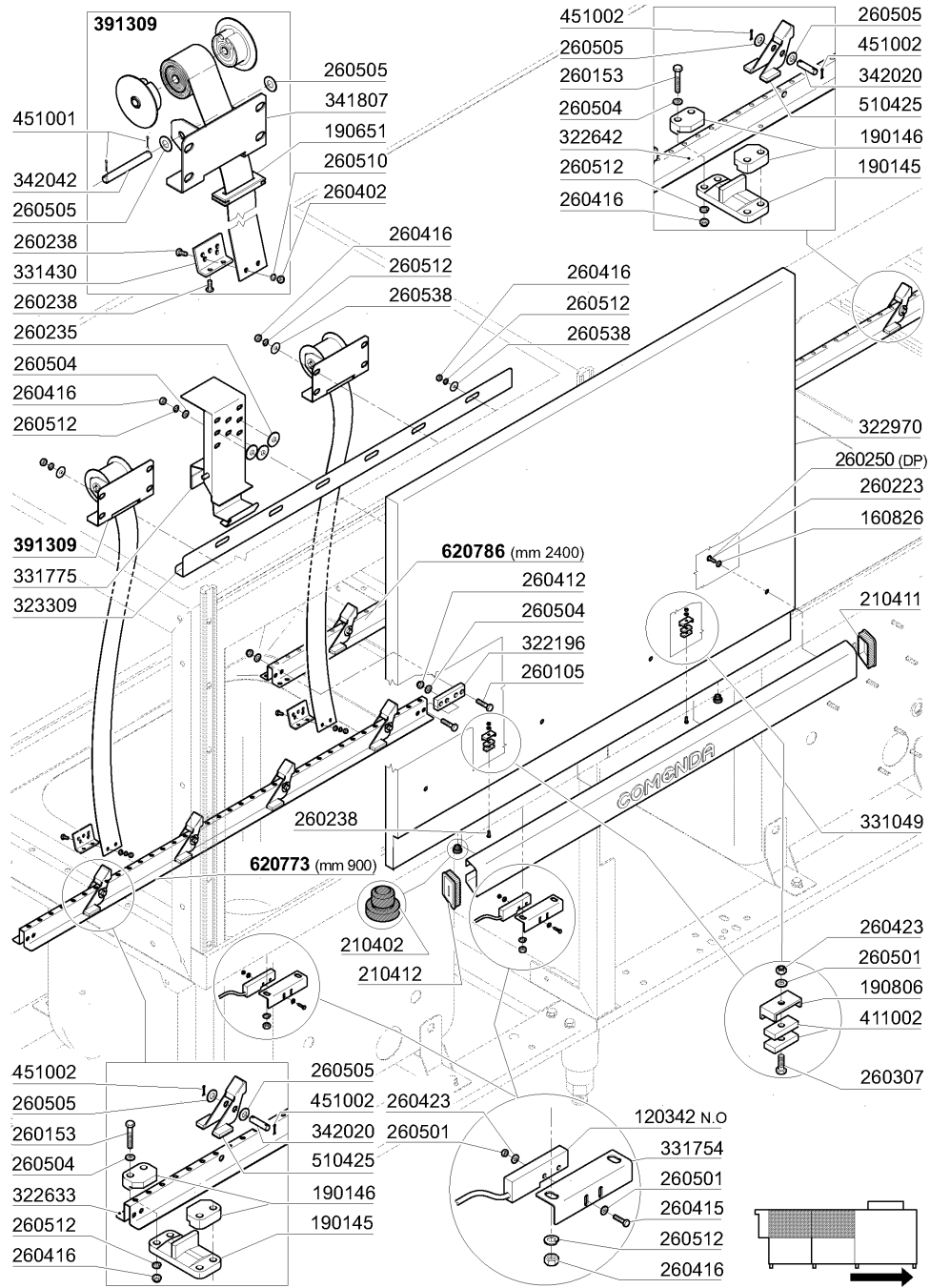
13 - Prewash Hood 900mm



07 - 2007 S. AG.

13 - Prewash Hood 900mm

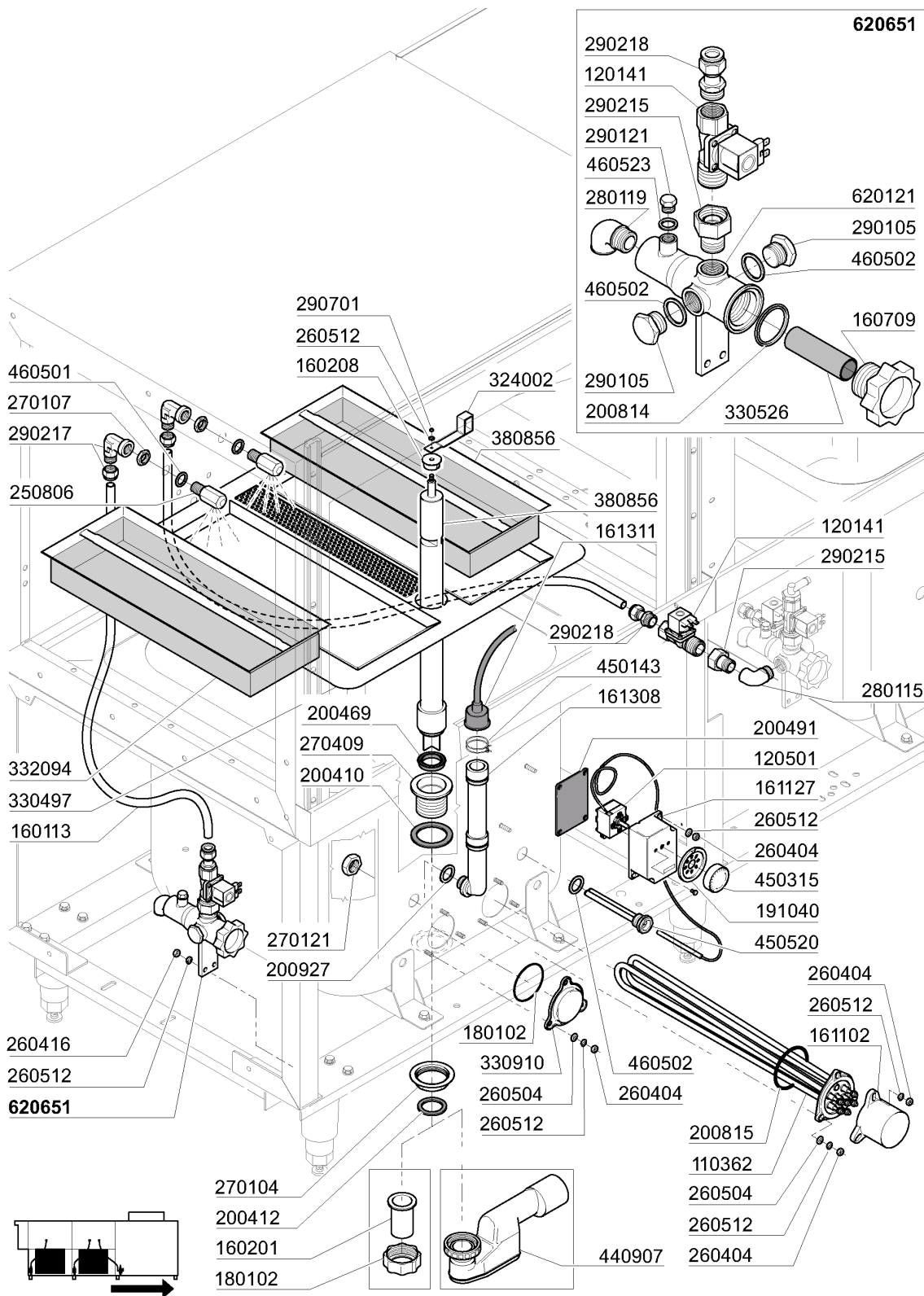
CODE	DESCRIPTION
160805	GASKET D.8
180630	DOUBLE SKINNED DOOR RUNNER -AC
190906	CURTAIN IN/OUT 620X480
200478	SELF-ADHESIVE GASKET 65X4
210404	BLACK RUBBER FOOT S90 NE SE
260104	STAINL.ST TE-SCREW A2 6X16 UNI
260112	STAINLESS STEEL TE-SCREW 8X16
260113	STAINL.ST.TE SCREW 8X20 A2 UNI
260116	SCREW TE 8X35
260223	M5X12 MSH/HD SCREW SPECIAL S/S
260224	TB-SCREW 6X15 B23-10-11-12
260250	SCREW TB 5X20
260404	STAINLESS STEEL NUTS D6 UNI 55
260406	NUT 8MA
260412	SELF-LOCKING NUT M6
260414	SELF-LOCKING NUT M5
260416	STAINLESS STEEL NUTS M6
260504	ST/ST FLAT WASHER D6
260505	STAINL.STEEL FLAT WASHER D8
260512	ST/ST GROWER WASHER D6
260513	GROWER WASHER D8
260530	STAINL.ST WASHER 7X22X2
260538	WASHER 18X6X1,5 ST/ST
260543	WASHER D.6 ST/ST
290701	HEXAGON BLIND NUTS GM H12
321057	LOWER WASH ARM SUPPORT
321748	GUIDE
323389	BRACKET
323477	TRAVERSA SOST.VASCHE AC/ACR
330715	UPPER BRACKET CURTAIN SNL-SE
331116	DOOR SECURITY HOOK
332370	PARASPRUZZI E SUPP.AC/ACR 2001
332377	SQUADR.AGG.PANN.POST.AC/R/2001
340422	SHAFT FOR CURTAIN AC-ACR
341016	BRAKET FOR DOOR SECURITY HOOK
342483	CAPOT 900 AC/ACR ANNO 2001
351290	FRONT PANEL ACR
351907	PANN.LAT.LE SX AC COIBENTATE
351908	PANN.LAT.LE DX AC COIBENTATE
351943	BACK PANEL 900
361028	TELAIO LAVAGGIO SE/1 A SEDIA
361060	TELAIO SOST.CAPOT AC/ACR 2001
620222	COMPLETE ALUMINIUM LEGS



01 - 2005 S. AG.

CODE	DESCRIPTION
120342	DOR MAGNETIC SWITCH
160826	GASKET 14X6,2X2 B41-F2
190145	SUPPORT F.PAWL BAR GUIDE AC
190146	CLAMPING PIECES AC
190651	BUSH
190806	MAGNET HOUSING
210402	PAD FOR DOOR 15-149
210411	RIGHT PLUG FOR ACR/AC HANDLE
210412	LEFT PLUG FOR ACR/AC HANDLE
260105	SCREW TE 6X20
260153	SCREW TE 6X35
260223	M5X12 MSH/HD SCREW SPECIAL S/S
260235	SCREW
260238	M4 X 10 MUSH/HD SCREW
260250	SCREW TB 5X20
260307	SCREW TSP 3X20
260402	STAINLESS STEEL NUT D4 UNI 55
260412	SELF-LOCKING NUT M6
260415	STAINLESS STEEL SELF-LOCKING N
260416	STAINLESS STEEL NUTS M6
260423	SELF-LOCKING NUT M3
260501	STAINL.STEEL FLAT WASHER D3 UN
260504	ST/ST FLAT WASHER D6
260505	STAINL.STEEL FLAT WASHER D8
260510	GROWER WASHER D.4
260512	ST/ST GROWER WASHER D6
260538	WASHER 18X6X1,5 ST/ST
322196	BRACKET
322633	AGGIUNTA GUIDA TRAINO"900"ACR
322642	GUIDA SALT.2400 AC 201-202
322970	DOOR 900MM ACR NEW
323309	PARASPRUZZI PER CAPOT 900
331049	900MM DOOR HANDLE ACR
331430	BRACKET FOR DOOR SPRING
331754	DOOR MICRO SWITCH BRACKET FOR
331775	BRACKET 3 THERMOSTATS
341807	SUPPORTO INOX X MOLLA A NASTRO
342020	PIN
342042	ALB.GRUPPO MOLLA DI BILANCIAM.
391309	DOOR SPRING 4KG - 40MM
411002	PERMANENT MAGNET 24X12
451001	S/STEEL COTTER PIN D.2X24
451002	COTTER PIN STAINL.ST. D2X12
510425	PAWL LOAD. AC/ACR
620773	GUIDE 960
620786	GUIDE 2400

15 - Prewash tank components 900mm

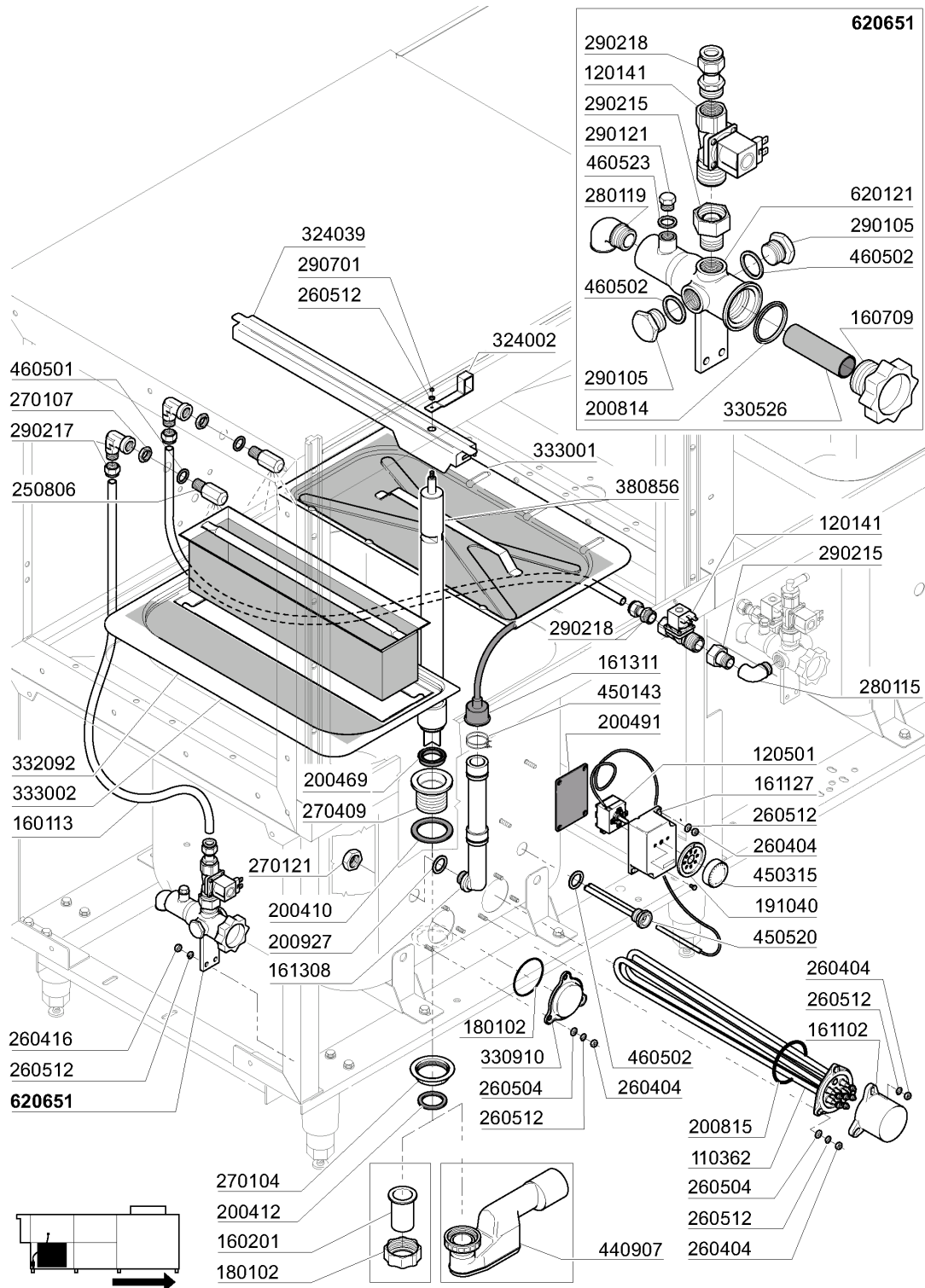


01 - 2005 S.AG.

15 - Prewash tank components 900mm

CODE	DESCRIPTION
110362	HEAT.ELEMENT 9000W 220/380V
120141	SOLEN.VALVE METAL.328000 D.1/2
120501	THERMOSTAT 30/90°C
160113	TUBE IN POL. RETIC. 12 EST
160201	ELBOW F.TANK INLET MOPLN
160208	ELBOW FOR PREW.OVERFLOW PIPE
160709	KNOB OF MANIFOLD F. SOLEN. VAL
161102	ELEMENT COVER MOPL.
161127	BOX FOR THERMOSTAT
161308	AIR CHAMBER C95-155
161311	HOSE FOR AIR CHAMBER BC-BR-AC9
180102	DRAIN PIPE NUT 1"1/2 F45-55
191040	FRAME F.THERMOSTAT KNOB
200410	DRAIN OUTL.WASH.1 1/2"65X47X2
200412	GASKET DRAIN 11/2" 45X33X3
200469	STAND PIPE O RING 45X35,5X7
200491	BACK GASKET OF THERMOSTAT BOX
200814	O-RING 34,52X41,58X3,53
200815	O-RING F. HEAT.ELEM.
200927	GASKET FOR AIR TRAP
250806	TANK FILL HOSE CLAMP - AC/ACR
260404	STAINLESS STEEL NUTS D6 UNI 55
260416	STAINLESS STEEL NUTS M6
260504	ST/ST FLAT WASHER D6
260512	ST/ST GROWER WASHER D6
270104	LOCK NUT 1" 1/2
270107	BRASS LOCK NUT 3/8" FL803
270121	NUT FOR AIR TRAP
270409	DRAIN OUTLET AC-ACR
280115	ELL 1/2"
280119	ELL MF 3/4"
290105	BRASS-TE-PLUG 1/2"
290121	BRASS PLUG 1/8"
290215	1/2"BSP M/F UNION BRASS
290217	HOSE CLAMP ELBOW 12X3/8" TYPE
290218	NIPPLE 12X1/2"
290701	HEXAGON BLIND NUTS GM H12
324002	OVERFLOW PIPE LEVER ACS
330497	FILTER SUPPORT
330526	FILTERS 22X28 SOLENOID V.MANIF
330910	FLANGE
332094	STRAINER FOR 900 PREWASH TANK
380856	OVERFLOW PIPE FOR PREWASH TANK
440907	SIPHON 1"1/2
450143	CLAMP D.39,7 X 37,7
450315	KNOB F. THERMOSTAT 90°
450520	THERMOSTAT SHIELD FOR 3 THERMO
460501	GASKET 24X17X2
460502	GASKET 30X21X2
460523	GASKET 10X18X2
620121	TWIN SOLENOID VALVE MANIFOLD
620651	ASS.FILTRO 1 ELETTR.CAR.VAS AC

16 - Prewash tank components 900mm



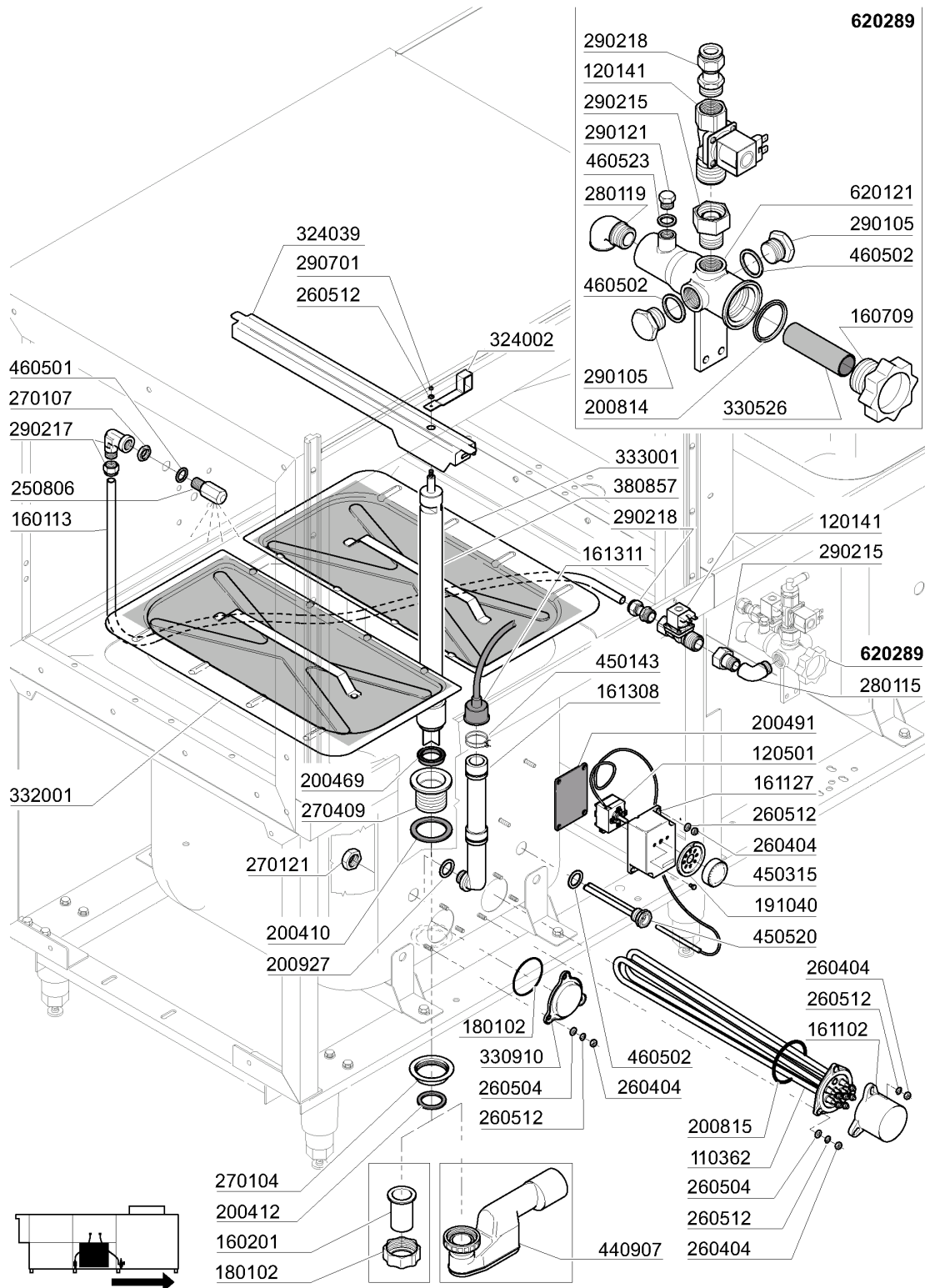
ed. 2005

01 - 2005 S. AG.

16 - Prewash tank components 900mm

CODE	DESCRIPTION
110362	HEAT.ELEMENT 9000W 220/380V
120141	SOLEN.VALVE METAL.328000 D.1/2
120501	THERMOSTAT 30/90°C
160113	TUBE IN POL. RETIC. 12 EST
160201	ELBOW F.TANK INLET MOPLN
160709	KNOB OF MANIFOLD F. SOLEN. VAL
161102	ELEMENT COVER MOPL.
161127	BOX FOR THERMOSTAT
161308	AIR CHAMBER C95-155
161311	HOSE FOR AIR CHAMBER BC-BR-AC9
180102	DRAIN PIPE NUT 1"1/2 F45-55
191040	FRAME F.THERMOSTAT KNOB
200410	DRAIN OUTL.WASH.1 1/2"65X47X2
200412	GASKET DRAIN 11/2" 45X33X3
200469	STAND PIPE O RING 45X35,5X7
200491	BACK GASKET OF THERMOSTAT BOX
200814	O-RING 34,52X41,58X3,53
200815	O-RING F. HEAT.ELEM.
200927	GASKET FOR AIR TRAP
250806	TANK FILL HOSE CLAMP - AC/ACR
260404	STAINLESS STEEL NUTS D6 UNI 55
260416	STAINLESS STEEL NUTS M6
260504	ST/ST FLAT WASHER D6
260512	ST/ST GROWER WASHER D6
270104	LOCK NUT 1" 1/2
270107	BRASS LOCK NUT 3/8" FL803
270121	NUT FOR AIR TRAP
270409	DRAIN OUTLET AC-ACR
280115	ELL 1/2"
280119	ELL MF 3/4"
290105	BRASS-TE-PLUG 1/2"
290121	BRASS PLUG 1/8"
290215	1/2"BSP M/F UNION BRASS
290217	HOSE CLAMP ELBOW 12X3/8" TYPE
290218	NIPPLE 12X1/2"
290701	HEXAGON BLIND NUTS GM H12
324002	OVERFLOW PIPE LEVER ACS
324039	FILTER GUIDE 900/1300 ACS
330526	FILTERS 22X28 SOLENOID V.MANIF
330910	FLANGE
332092	STRAINER FOR PREWASH TANK ACS
333001	STRAINER 900 ACS
333002	STRAINER 900 ACS
380856	OVERFLOW PIPE FOR PREWASH TANK
440907	SIPHON 1"1/2
450143	CLAMP D.39,7 X 37,7
450315	KNOB F. THERMOSTAT 90°
450520	THERMOSTAT SHIELD FOR 3 THERMO
460501	GASKET 24X17X2
460502	GASKET 30X21X2
460523	GASKET 10X18X2
620121	TWIN SOLENOID VALVE MANIFOLD
620651	ASS.FILTRO 1 ELETTR.CAR.VAS AC

17 - Wash Tank Components 900mm



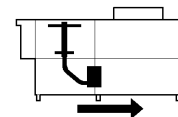
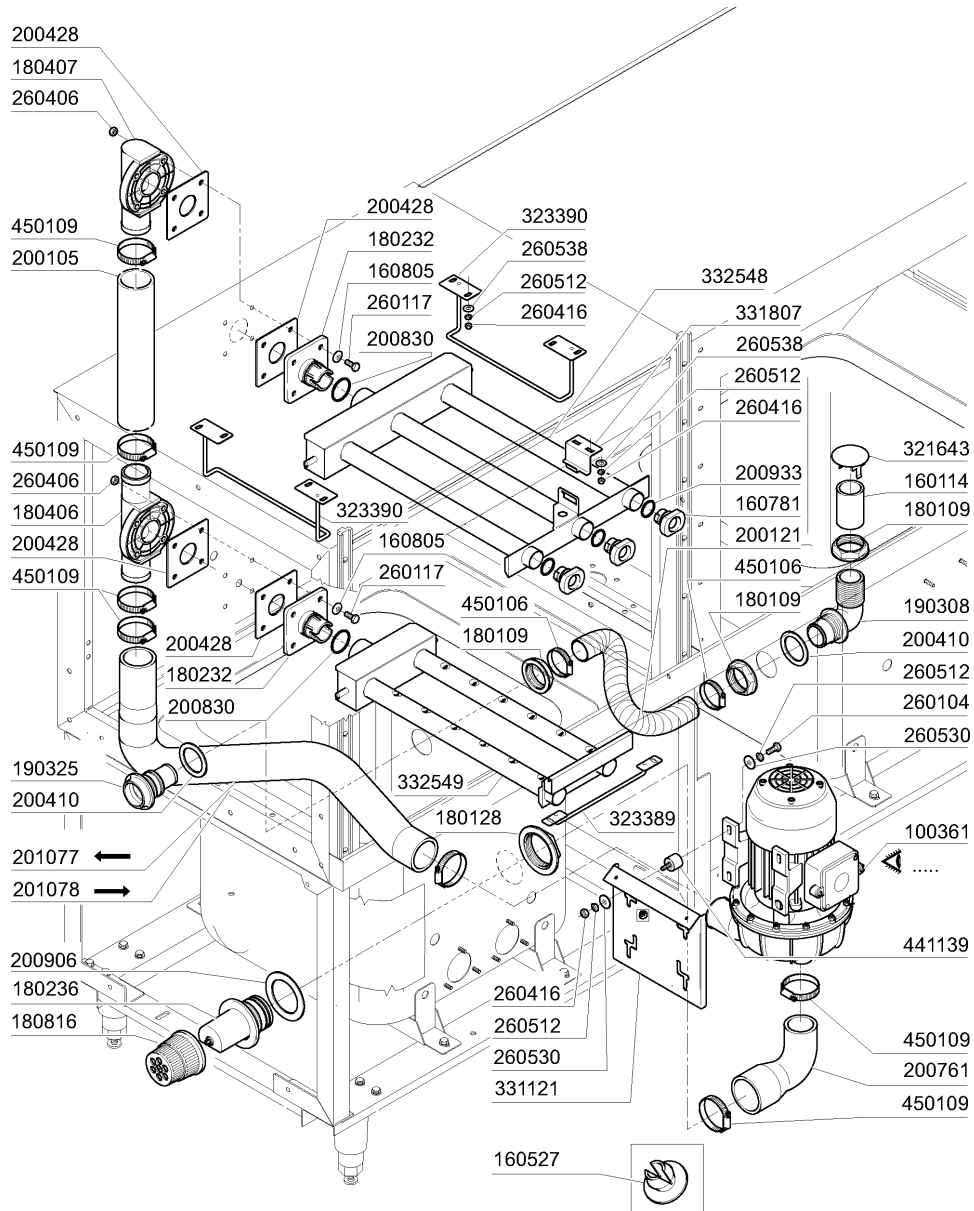
01 - 2005 S. AG.

ed. 2005

17 - Wash Tank Components 900mm

CODE	DESCRIPTION
110362	HEAT.ELEMENT 9000W 220/380V
120141	SOLEN.VALVE METAL.328000 D.1/2
120501	THERMOSTAT 30/90ØC
160113	TUBE IN POL. RETIC. 12 EST
160201	ELBOW F.TANK INLET MOPLN
160709	KNOB OF MANIFOLD F. SOLEN. VAL
161102	ELEMENT COVER MOPL.
161127	BOX FOR THERMOSTAT
161308	AIR CHAMBER C95-155
161311	HOSE FOR AIR CHAMBER BC-BR-AC9
180102	DRAIN PIPE NUT 1"1/2 F45-55
191040	FRAME F.THERMOSTAT KNOB
200410	DRAIN OUTL.WASH.1 1/2"65X47X2
200412	GASKET DRAIN 11/2" 45X33X3
200469	STAND PIPE O RING 45X35,5X7
200491	BACK GASKET OF THERMOSTAT BOX
200814	O-RING 34,52X41,58X3,53
200815	O-RING F. HEAT.ELEM.
200927	GASKET FOR AIR TRAP
250806	TANK FILL HOSE CLAMP - AC/ACR
260404	STAINLESS STEEL NUTS D6 UNI 55
260504	ST/ST FLAT WASHER D6
260512	ST/ST GROWER WASHER D6
270104	LOCK NUT 1" 1/2
270107	BRASS LOCK NUT 3/8" FL803
270121	NUT FOR AIR TRAP
270409	DRAIN OUTLET AC-ACR
280115	ELL 1/2"
280119	ELL MF 3/4"
290105	BRASS-TE-PLUG 1/2"
290121	BRASS PLUG 1/8"
290215	1/2"BSP M/F UNION BRASS
290217	HOSE CLAMP ELBOW 12X3/8" TYPE
290218	NIPPLE 12X1/2"
290701	HEXAGON BLIND NUTS GM H12
324002	OVERFLOW PIPE LEVER ACS
324039	FILTER GUIDE 900/1300 ACS
330526	FILTERS 22X28 SOLENOID V.MANIF
330910	FLANGE
332001	STRAINER
333001	STRAINER 900 ACS
380857	OVERFLOW PIPE FOR WASH TANK
440907	SIPHON 1"1/2
450143	CLAMP D.39,7 X 37,7
450315	KNOB F. THERMOSTAT 90Ø
450520	THERMOSTAT SHIELD FOR 3 THERMO
460501	GASKET 24X17X2
460502	GASKET 30X21X2
460523	GASKET 10X18X2
620121	TWIN SOLENOID VALVE MANIFOLD
620289	-NASTRO LVVS 32 ALB(620640-41)

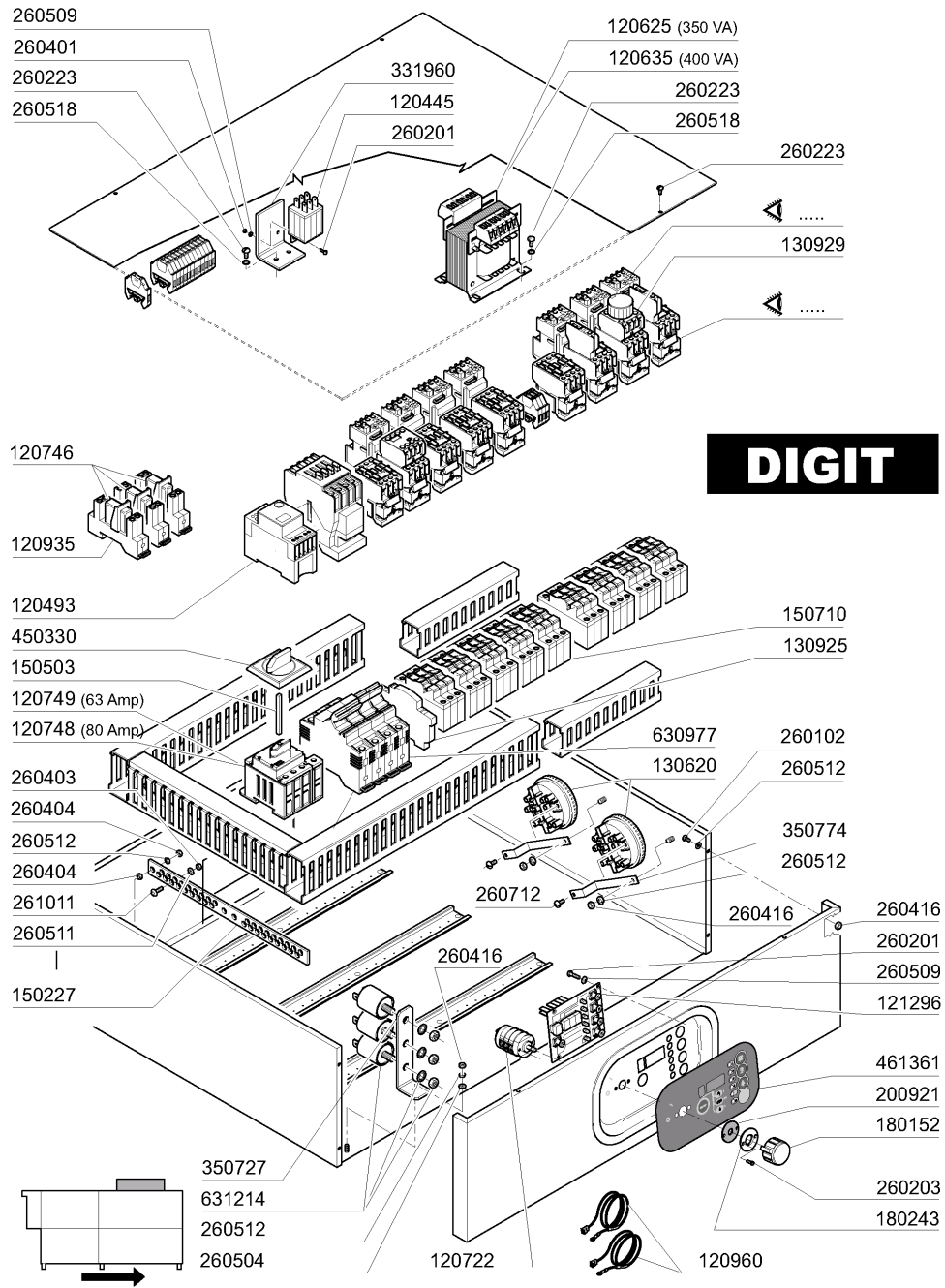
18 - Prewash Assembly 900mm



08 - 2006 S. AG.

18 - Prewash Assembly 900mm

CODE	DESCRIPTION
100361	PUMP HP 2-220/380-50HZ-120404
160114	ADJUST.OVERFLOW-PIPE/TANKS S3Ø
160527	PLUG 14,5X2X8
160781	PLUG FOR COLLECTOR NEW AC
160805	GASKET D.8
180109	LOCK NUT 1 1/2"
180128	RING NUT 65,4 C140 C85
180232	WASH ARM FLANGE SNL
180236	PUMP SUCTION FOR AC-ACR-C155
180406	T-CONNECTOR F. WASHING S90-SNL
180407	ELBOW S90 S N L
180816	STRAINER OF INLET PUMP AC-ACR
190308	OVERFLOW CONNECTOR
190325	OVERFLOW CONNECTOR
200105	RUBBER HOSE 50X60
200121	RUBBER HOSE 45X55
200410	DRAIN OUTL.WASH.1 1/2"65X47X2
200428	GASKET 100X100X3 NEOTEN
200761	INLET HOSE - PREWASH AC -
200830	O-RING 37,3X44,5X3,6
200906	GASKET D.92X66X2
200933	OR 24/32/4 FOR PLUG COLLECTOR
201077	DELIVERY HOSE
201078	OUTLET HOSE
260104	STAINL.ST TE-SCREW A2 6X16 UNI
260117	SCREW 8X40
260406	NUT 8MA
260416	STAINLESS STEEL NUTS M6
260512	ST/ST GROWER WASHER D6
260530	STAINL.ST WASHER 7X22X2
260538	WASHER 18X6X1,5 ST/ST
321643	SUPPORT
323389	BRACKET
323390	GUIDE
331121	FIXING PLATE FOR PUMP ACR
331807	BRACKET
332548	UPPER WASH SYSTEM
332549	COLLETT.INF.PREL.900 ACS LAM.
441139	VIBRATION-DAMPING FEET 25X20X6
450106	CLAMP FE ZN 32-44 H=12,2
450109	CLAMP 50-65

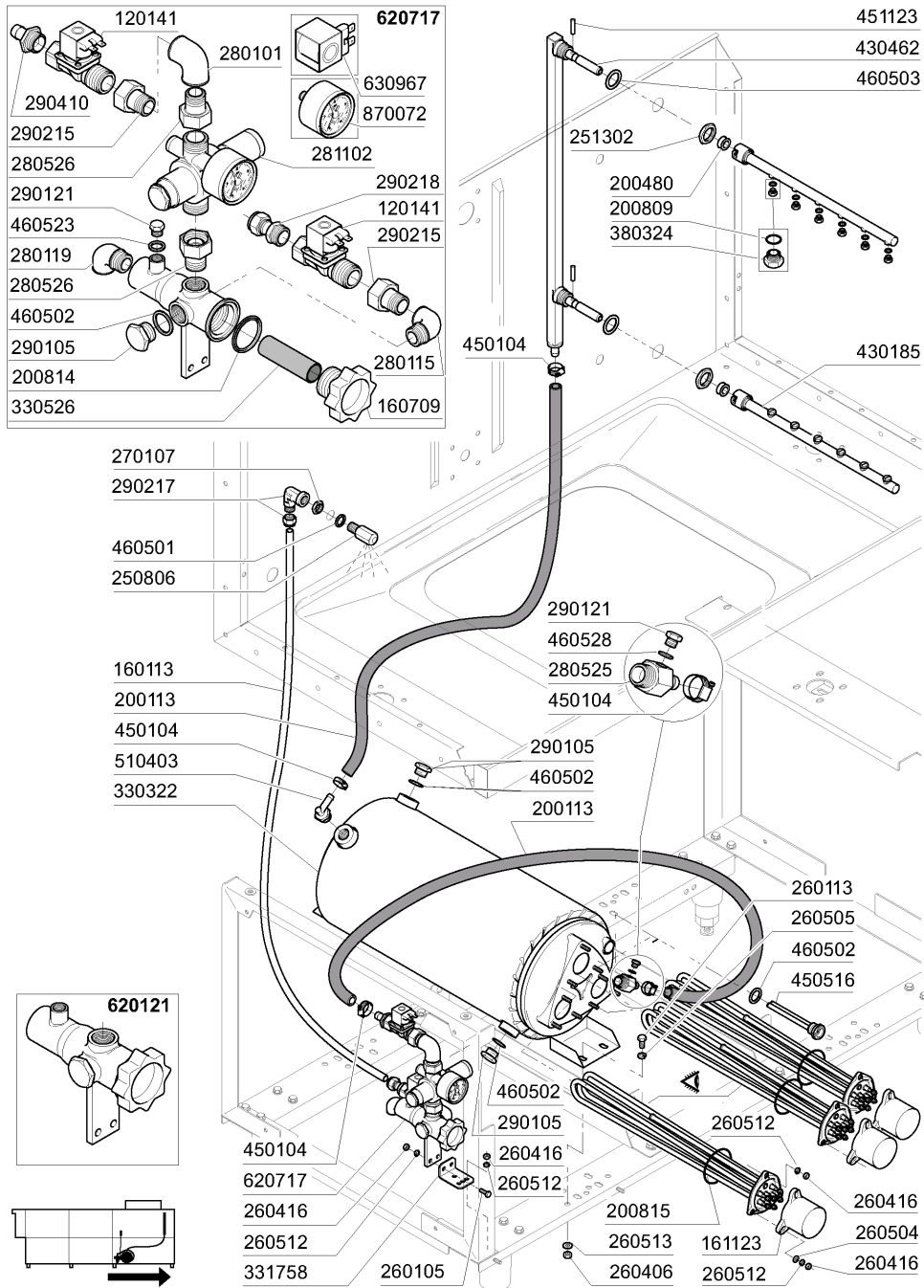


04 - 2005 S. AG.

19 - Control Box ACS122..242 DIGIT

CODE	DESCRIPTION
120445	AUXILIARY RELAY S.B2/3 24V
120493	RELAY 130180240000
120625	TRANSFOR.350VA 225*415/12V-24V
120635	TRANSFORMER 400VA220-240-380-4
120722	6 POLE SWITVH 2 POSITIONS
120746	SELECTOR WITH LIGHT RM650R
120748	MAINSWITCH 80A 4P
120749	MAINSWITCH 63A 4P
120935	SUPPORT
120960	PROBE C-G
121296	ELECTRONIC CONTROL PANEL
130620	PRESSURE SWITCH 3 LEVEL 50-30/
130925	CONTACT FOR CIRCUIT BREAKER
130929	CONTACT ABB 1NO/1NC 30"
150227	BRACKET
150503	EXTENTION FOR MAIN SWITCH
150710	FUSE CARRIER 10,3X38 ART.21401
180152	KNOB
180243	FLANGE
200921	GASKET
260102	SCREW TE 6X10
260201	SCREW TCP 3X10
260203	SCREW 3,5X10
260223	M5X12 MSH/HD SCREW SPECIAL S/S
260401	NUT 3MA
260403	NUTS D.5
260404	STAINLESS STEEL NUTS D6 UNI 55
260416	STAINLESS STEEL NUTS M6
260504	ST/ST FLAT WASHER D6
260509	GROWER WASHER D.3
260511	GROWER WASHER D.5
260512	ST/ST GROWER WASHER D6
260518	FLAT WASHER
260712	SCREW 2,9X9,5
261011	SCREW M5
331960	BRACKET
350727	BRACKET
350774	BRACKET
450330	KNOB FOR MAIN SWITCH
461361	PLATE ACS101-242 DIGIT
630977	COIL FOR CIRCUIT BREAKER 24V
631214	ANTI-NOISE FILTER 4011135007 3

20 - Rinse Assembly / Boiler with 3 heating elements

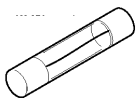
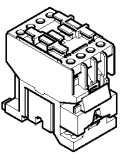
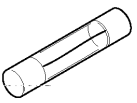
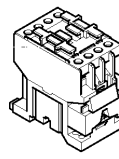
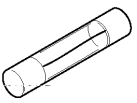
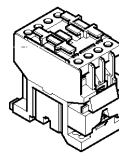
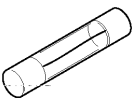
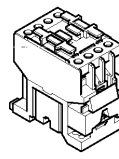


07 - 2009 M. G.

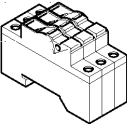
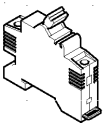
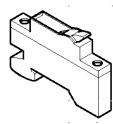
20 - Rinse Assembly / Boiler with 3 heating elements

CODE	DESCRIPTION
120141	SOLEN.VALVE METAL.328000 D.1/2
160113	TUBE IN POL. RETIC. 12 EST
160709	KNOB OF MANIFOLD F. SOLEN. VAL
161123	HEAT.ELEMENT COVER H42 SNL
200113	RUBBER HOSE 12 X 22
200480	GASKET F. RINSE CONNECT.
200809	OR GASKET 1,78X8,73X12,29
200814	O-RING 34,52X41,58X3,53
200815	O-RING F. HEAT.ELEM.
250806	TANK FILL HOSE CLAMP - AC/ACR
251302	S/S LOCK NUT 3/4" AC-ACR
260105	SCREW TE 6X20
260113	STAINL.ST.TE SCREW 8X20 A2 UNI
260406	NUT 8MA
260416	STAINLESS STEEL NUTS M6
260504	ST/ST FLAT WASHER D6
260505	STAINL.STEEL FLAT WASHER D8
260512	ST/ST GROWER WASHER D6
260513	GROWER WASHER D8
270107	BRASS LOCK NUT 3/8" FL803
280101	CRANK F.F 1/2"
280115	ELL 1/2"
280119	ELL MF 3/4"
280525	NIPPLE
280526	CONNECTION 1/2-3/4"
281102	1/2" ADJ VALVE C/W GAUGE TYPE
290105	BRASS-TE-PLUG 1/2"
290121	BRASS PLUG 1/8"
290215	1/2"BSP M/F UNION BRASS
290217	HOSE CLAMP ELBOW 12X3/8" TYPE
290218	NIPPLE 12X1/2"
290410	NIPPLE 1/2"
330322	INSULATED BOILER D.230 N/S
330526	FILTERS 22X28 SOLENOID V.MANIF
331758	BRACKET F.SOLEN.VALV SE
380324	RINSE JETS 52,5 80Ø OV1/8"
430185	RINSE ARM
430462	COL.RISC.AC (430472)
450104	CLAMP FE ZN H=12,5 15-24
450516	THERMOSTAT SHIELD FOR 2 TERMOS
451123	ELASTIC PIN 4X16
460501	GASKET 24X17X2
460502	GASKET 30X21X2
460503	SEALING WASHER 38X27X2(3/4)
460523	GASKET 10X18X2
460528	GASKET 15X10X2 FOR RINSE NIPPE
510403	CONNECT.HOSE 90Ø1/2"X12
620121	TWIN SOLENOID VALVE MANIFOLD
620717	FILTER FOR SOLENOID ACS151-202
630967	COIL V24/50HZ E/V 328002
870072	PRESSURE CAUGE 0-4 ATM

21 - Electrical parts for heatings elements

	220/240 V				380/415 V			
								
KW	A	Fusibili Fusible Fuse Schmelzsicherung Fusible	A	Teleruttore Contacteur Contactor Schalterschütz Contactor	A	Fusibili Fusible Fuse Schmelzsicherung Fusible	A	Teleruttore Contacteur Contactor Schalterschütz Contactor
9	32	130237	26	120471	20	130248	12	120469
12,5	40	130238	30	120472	25	130236	26	120471
14	40	130238	30	120472	32	130237	26	120471
16	50	130257	40	120473	32	130237	30	120472
18	63	130239	40	120473	40	130237	30	120472
20	63	130239	50	120474	40	130237	30	120472

	Asciugatura - Sechage - Dryer - Trocknung - Secado							
	220/240 V				380/415 V			
KW	A	Fusibili Fusible Fuse Schmelzsicherung Fusible	A	Teleruttore Contacteur Contactor Schalterschütz Contactor	A	Fusibili Fusible Fuse Schmelzsicherung Fusible	A	Teleruttore Contacteur Contactor Schalterschütz Contactor
4,5	12	130236	9	120468	10	130269	9	120468
6	20	130248	12	120469	12	130248	9	120468

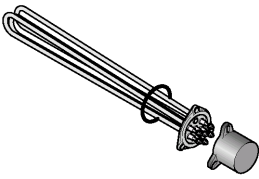
A			
	Magnetotermico resistenza Magneto-thermique résistance Termo-magnetic switch for heater Termo-magnetischer schalter F. Heizkörper Magneto-termico resistencia	Bobina di sgancio V.24 per Boiler Bobine décrochage V.24 pour Surchauffeur Disconnecting coil V.24 for boiler Auslösespüle V. 24 für boiler Bobina desembrague V. 24 por boiler	Contatto per bobina di sgancio Contact pour bobine décrochage Contact for disconnecting coil Kontakt für auslösespüle Contacto por bobina desembrague
20	121020	630977	130925
25	121021	630977	130925
32	121022	630977	130925
40	121023	630977	130925
50	121024	630977	130925
63	121025	630977	130925
80	121026	630978	130940

01 - 2005 S. AG.

21 - Electrical parts for heatings elements

CODE	DESCRIPTION
120468	CONTACTOR ABB 9A 24V 50/60HZ
120469	CONTACTOR ABB 12A 24V 50/60HZ
120471	CONTACTOR ABB 26A 24V 50/60HZ
120472	CONTACTOR ABB 24V 50/60HZ
120473	CONTACTOR ABB 24V 50/60HZ
120474	CONTACTOR ABB 50A 24V 50/60HZ
121020	CIRCUIT BREAKER 20A
121021	CIRCUIT BREAKER 25A
121022	CIRCUIT BREAKER 32A
121023	CIRCUIT BREAKER 40A
121024	CIRCUIT BREAKER 50A
121025	CIRCUIT BREAKER 63A
121026	MAGN.SWITCH 80A
130236	FUSE 14X51 25A GF14325
130237	FUSE 14X51 32A GL14332
130238	FUSE 14X51 40A GF 14340
130239	FUSE 22X58 63A GF15363
130248	FUSE 20A-10,3X38 13320 G.F.
130257	FUSE 50A 14X51 GF14350
130269	FUSE GG 10,3X38 10A
130925	CONTACT FOR CIRCUIT BREAKER
130940	AUXILIARY CONTACT ABB
630977	COIL FOR CIRCUIT BREAKER 24V
630978	COIL FOR CIRCUIT BREAKER 80A

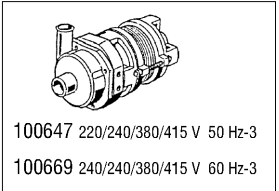
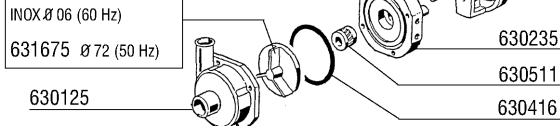
MODELLO MODEL	ACQUA CALDA HOT WATER 55 ° C	ACQUA FREDDA COLD WATER 20 ° C	RECUPERATORE DI CALORE HEAT RECOVERY UNIT	POMPA DI CALORE HEAT PUMP WP 4	POMPA DI CALORE HEAT PUMP WP 6
ACS 91	(12,5) Kw	(9 + 9 + 8) Kw	(8 + 8) Kw	(9) Kw	_____
	BOILER/BOOSTER Code 330320	BOILER/BOOSTER Code 330322	BOILER/BOOSTER Code 330339	BOILER/BOOSTER Code 330320	_____
ACS 101	(14) Kw	(10 +10+10) Kw	(9 + 9) Kw	(10) Kw	_____
	BOILER/BOOSTER Code 330320	BOILER/BOOSTER Code 330322	BOILER/BOOSTER Code 330339	BOILER/BOOSTER Code 330320	_____
ACS 122	(12,5) Kw	(9 + 9 + 8) Kw	(8 + 8) Kw	(9) Kw	_____
	BOILER/BOOSTER Code 330320	BOILER/BOOSTER Code 330322	BOILER/BOOSTER Code 330339	BOILER/BOOSTER Code 330320	_____
ACS 161	(10 + 10) Kw	(12,5 + 12,5 + 10) Kw	(8 + 8 + 9) Kw	(8 + 8) Kw	_____
	BOILER/BOOSTER Code 330339	BOILER/BOOSTER Code 330322	BOILER/BOOSTER Code 330322	BOILER/BOOSTER Code 330339	_____
ACS 162	(8 + 8) Kw	(10 + 9 + 9) Kw	(10 + 10) Kw	(12,5) Kw	_____
	BOILER/BOOSTER Code 330339	BOILER/BOOSTER Code 330322	BOILER/BOOSTER Code 330322	BOILER/BOOSTER Code 330320	_____
ACS 181	(10 + 10) Kw	(12,5 + 12,5 + 10) Kw	(8 + 8 + 9) Kw	(9 + 9) Kw	(10 + 10) Kw
	BOILER/BOOSTER Code 330339	BOILER/BOOSTER Code 330322	BOILER/BOOSTER Code 330322	BOILER/BOOSTER Code 330339	BOILER/BOOSTER Code 330339
ACS 182	(9 + 9) Kw	(9 + 9 + 14) Kw	(9 + 6 + 6) Kw	(14) Kw	(9 + 9) Kw
	BOILER/BOOSTER Code 330339	BOILER/BOOSTER Code 330322	BOILER/BOOSTER Code 330322	BOILER/BOOSTER Code 330320	BOILER/BOOSTER Code 330339
ACS 201	(10 + 10) Kw	(12,5 + 12,5 + 10) Kw	(8 + 8 + 9) Kw	(10 + 9) Kw	(10 + 10) Kw
	BOILER/BOOSTER Code 330322	BOILER/BOOSTER Code 330322	BOILER/BOOSTER Code 330322	BOILER/BOOSTER Code 330339	BOILER/BOOSTER Code 330339
ACS 202	(9 + 9) Kw	(8 + 12,5 + 12,5) Kw	(9 + 6 + 6) Kw	(14) Kw	(9 + 9) Kw
	BOILER/BOOSTER Code 330322	BOILER/BOOSTER Code 330322	BOILER/BOOSTER Code 330322	BOILER/BOOSTER Code 330320	BOILER/BOOSTER Code 330339
ACS 241	(10 + 10) Kw	(12,5 + 12,5 + 10) Kw	(9 + 9 + 8) Kw	(10 + 9) Kw	(10 + 10) Kw
	BOILER/BOOSTER Code 330322	BOILER/BOOSTER Code 330322	BOILER/BOOSTER Code 330322	BOILER/BOOSTER Code 330339	BOILER/BOOSTER Code 330339
ACS 242	(10 + 10) Kw	(12,5 + 12,5 + 9) Kw	(10 + 12,5) Kw	(9 + 6) Kw	(10 + 10) Kw
	BOILER/BOOSTER Code 330322	BOILER/BOOSTER Code 330322	BOILER/BOOSTER Code 330322	BOILER/BOOSTER Code 330339	BOILER/BOOSTER Code 330339

	6 Kw	110349
	8 Kw	110343
	9 Kw	110362
	10 Kw	110388
	12,5 Kw	110367
	14 Kw	110386

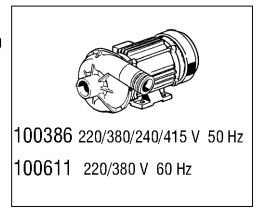
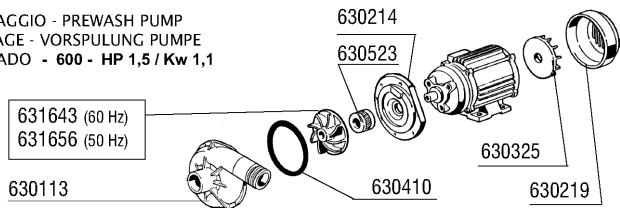
22 - Heating Elements

CODE	DESCRIPTION
110343	HEAT.ELEM. 8000W 220/380V
110349	HEAT.ELEMENT 6000W 230/400V
110362	HEAT.ELEMENT 9000W 220/380V
110367	HEAT.ELEMENT 12500W 230/400V
110386	HEAT.ELEMENT14KW 230/400V
110388	HEAT.ELEMENT 10000W 230/400V
330320	INSULATED BOILER D.1 164X650 S
330322	INSULATED BOILER D.230 N/S
330339	BOILER D.220X640 F.TWO HEAT.EL

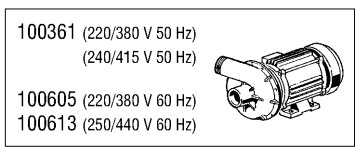
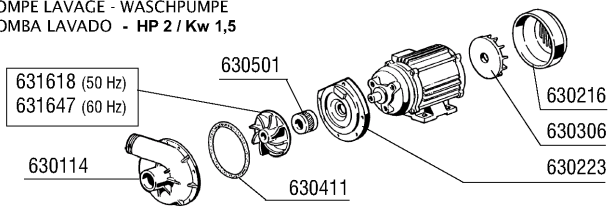
POMPA PRELAVAGGIO - PREWASH PUMP
 POMPE PRELAVAGE - VORSPÜLUNG PUMPE
 BOMBA PRELAVADO - 400 - HP 0,2 / Kw 0,15



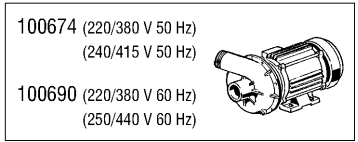
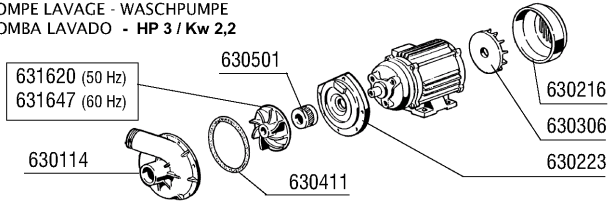
POMPA PRELAVAGGIO - PREWASH PUMP
 POMPE PRELAVAGE - VORSPÜLUNG PUMPE
 BOMBA PRELAVADO - 600 - HP 1,5 / Kw 1,1



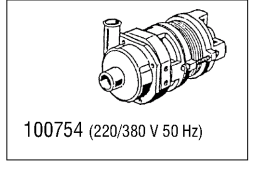
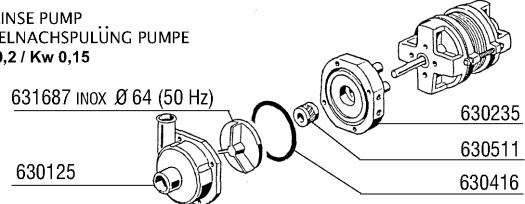
POMPA LAVAGGIO - WASH PUMP
 POMPE LAVAGE - WASCHPUMPE
 BOMBA LAVADO - HP 2 / Kw 1,5



POMPA LAVAGGIO - WASH PUMP
 POMPE LAVAGE - WASCHPUMPE
 BOMBA LAVADO - HP 3 / Kw 2,2

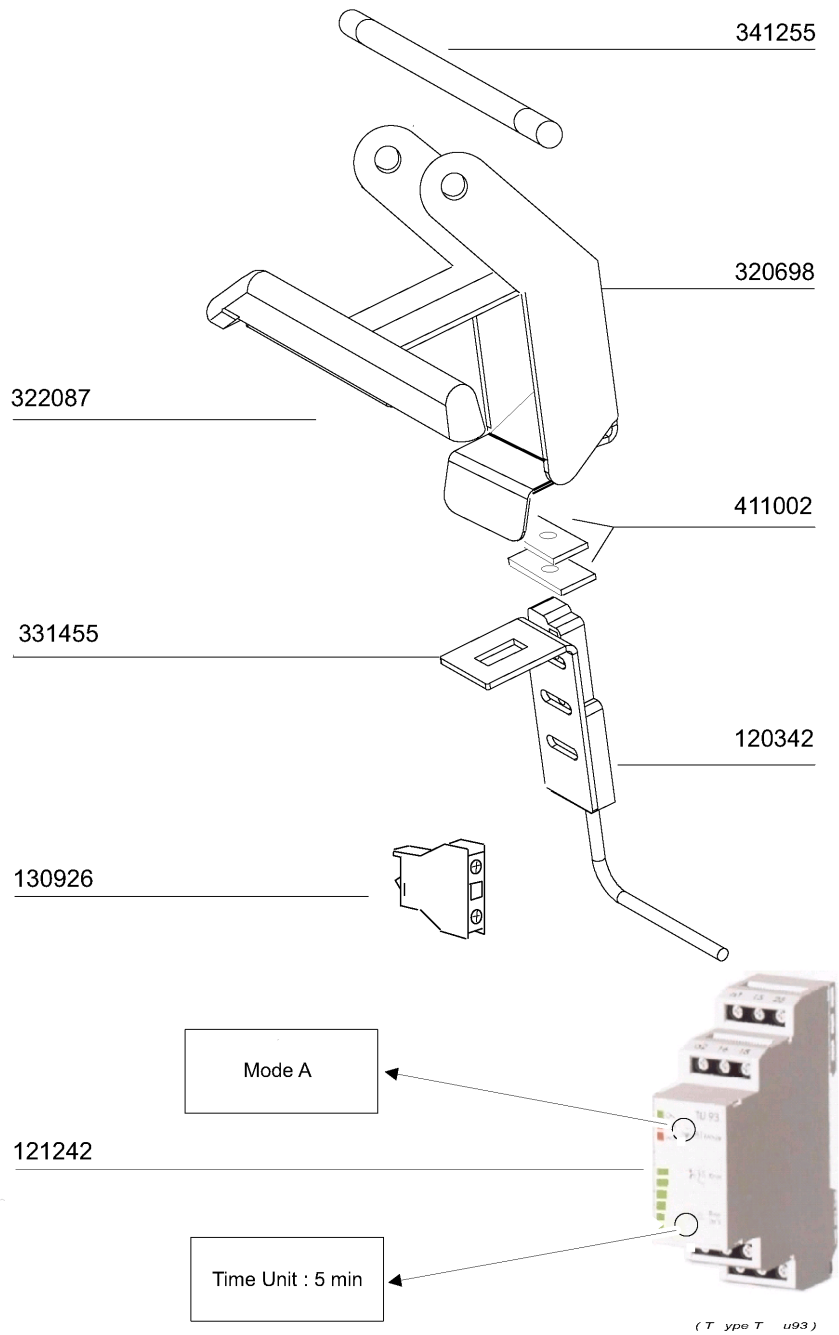


POMPA ECORINSE - ECORINSE PUMP
 POMPE ECORINSE - DOPPELNACHSPÜLUNG PUMPE
 BOMBA ECORINSE - HP 0,2 / Kw 0,15



COMPONENTI ELETTRICI POMPE - COMPOSANTS ELECTRIQUES POMPES - ELECTRICAL PARTS FOR PUMPS - ELEKTRISCHE TEILE FÜR PUMPEN - PIEZOS ELECTRICOS PARA BOMBAS														
220 / 240 V						380 / 415 V								
POMPA - POMPE PUMP - PUMPE BOMBA	FUSIBILI - FUSIBLE - FUSE SCHMELZSICHERUNG FUSIBLE	TELERUTTORE - CONTACTEUR CONTACTOR - SCHALTSCHITZ CONTACTOR	TERMICA - TERMIQUE OVERLOAD RELAY TERM/DAUSL...SER - TERMICO	FUSIBILI - FUSIBLE - FUSE SCHMELZSICHERUNG FUSIBLE	TELERUTTORE - CONTACTEUR CONTACTOR - SCHALTSCHITZ CONTACTOR	TERMICA - TERMIQUE OVERLOAD RELAY TERM/DAUSL...SER - TERMICO	FUSIBILI - FUSIBLE - FUSE SCHMELZSICHERUNG FUSIBLE	TELERUTTORE - CONTACTEUR CONTACTOR - SCHALTSCHITZ CONTACTOR	TERMICA - TERMIQUE OVERLOAD RELAY TERM/DAUSL...SER - TERMICO	FUSIBILI - FUSIBLE - FUSE SCHMELZSICHERUNG FUSIBLE	TELERUTTORE - CONTACTEUR CONTACTOR - SCHALTSCHITZ CONTACTOR	TERMICA - TERMIQUE OVERLOAD RELAY TERM/DAUSL...SER - TERMICO	FUSIBILI - FUSIBLE - FUSE SCHMELZSICHERUNG FUSIBLE	TELERUTTORE - CONTACTEUR CONTACTOR - SCHALTSCHITZ CONTACTOR
0,2	0,15	4	130230	9	120468	1,00 ÷ 1,4	120860	2	130260	9	120468	0,4 ÷ 0,63	120858	
1,5	1,1	8	130232	9	120468	4,5 ÷ 6,5	120864	4	130230	9	120468	2,8 ÷ 4	120863	
2	1,5	8	130232	9	120468	6 ÷ 8,5	120865	6	130231	9	120468	4,5 ÷ 6,5	120864	
3	2,2	1,2	130234	9	120468	7,5 ÷ 11	130231	6	120468	9	120468	4,5 ÷ 6,5	120864	


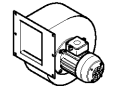
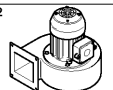
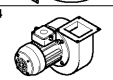
CODE	DESCRIPTION
100361	PUMP HP 2-220/380-50HZ-120404
100386	PUMP HP 1,5 220/380/50 1219
100605	PUMP HP 2 380/3/60HZ 1204
100611	PUMP HP 1,5 380/3/60HZ F1219
100613	PUMP HP 2 440/3/60HZ 1204
100647	PUMP HP 0,20 220/240/3 4226
100669	PUMP HP 0,12 220/380 60HZ C16
100674	PUMP HP 3 V.220-415-50HZ-1205
100690	PUMP 2,7HP 220/380 60HZ 1205
100754	PUMP HP 0,2-220/380 50HZ 4226
120468	CONTACTOR ABB 9A 24V 50/60HZ
120858	OVERLOAD RELAY ABB 0,4-0,63A
120860	OVERLOAD RELAY ABB 1-1,4A
120863	OVERLOAD RELAY ABB 2,8-4A
120864	OVERLOAD RELAY ABB 4,5-6,5A
120865	OVERLOAD RELAY ABB 6-8,5A
120866	OVERLOAD RELAY ABB 7,5-11A
130230	FUSE 10,3X38 4A AM13004
130231	FUSE 10,3X38 6A AM13006
130232	FUSE 10,3X38 8A AM13008
130234	FUSE 10,3X38 12A AM13012
130260	FUSE 10,3X38 2A AM 13001
630113	VOLUTE FIR HP0,5-1,55
630114	VOLUTE FI HP2-2,7-3-3,2
630125	VOLUTE 0,12/0,3(2212-29)
630214	FLANGE PUMP HP0,75-1-1,5
630216	FAN HOUSING FIR HP 2-3
630219	FAN HOUSING FIR HP.0,75-1
630223	BACK PLATE PUMP HP2-3-3,2
630235	PUMP COVER 0,12/0,3 2212-19
630306	PUMP FAN IMPELLOR FI HP.2-3
630325	COOLING FAN F.PUMP 1219/2241
630410	O-RING PUMP FI HP0,5-0,75-1
630411	O-RING PUMP FI HP 2-2,7
630416	OR FOR VOLUTE 0,12/0,3
630501	SEAL FOR PUMP HP 2-3-3,2
630511	PUMP SEAL HP 0,10 82
630523	SEAL FOR PUMP FIR1219
631618	IMPELLER PUMP F HP2-D.116,5
631620	IMPELLER HP 3-3,2 1205-43
631643	IMPELLER HP1/1,5 60HZD.90-1219
631647	IMPELLER D.100-60HZ-1204/5
631656	PUMP IMPELLER 1HP - 2255
631675	ST/ST PUMP IMPELLER 0,2HP 2226
631687	IMPELLER FOR PUMP 100754


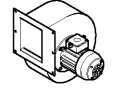
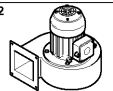
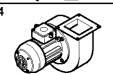


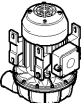
M.G 09/2009

24 - Autotimer

CODE	DESCRIPTION
120342	DOR MAGNETIC SWITCH
121242	TIMER LAV1000
130926	CONTACT ABB 1NO
320698	LEVER FOR ECONOMIZER SE SNL
322087	LEVA X MICRO AUTOTIMER AC/ACR\$
331455	BRACKET FOR RINSE MICROSWITCH
341366	SEE 321551
411002	PERMANENT MAGNET 24X12

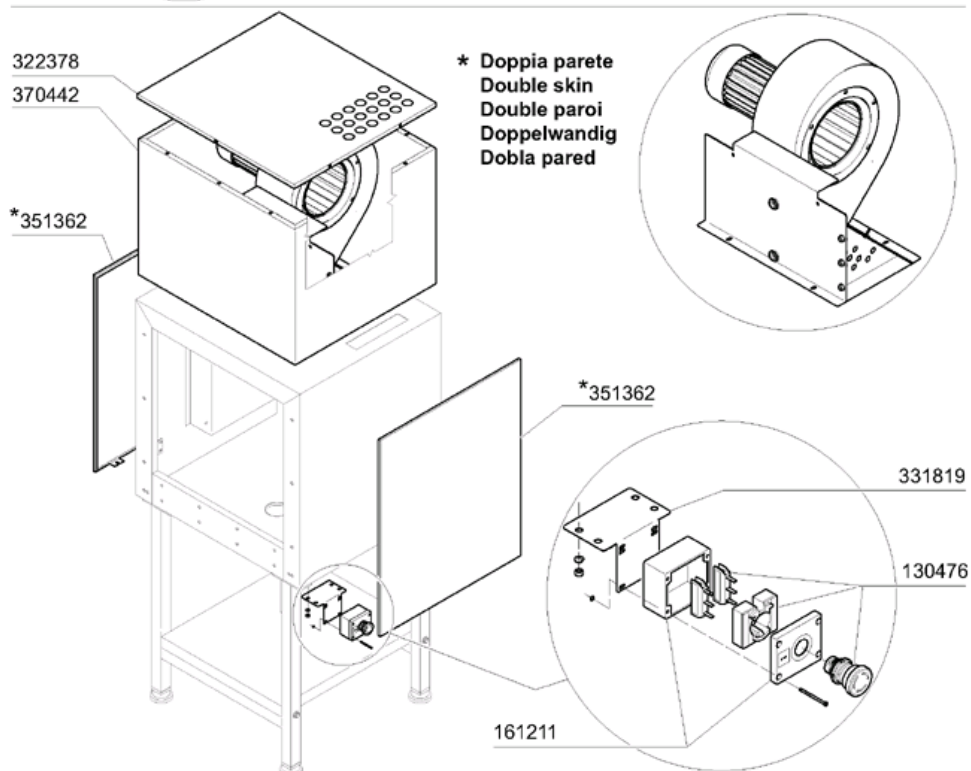
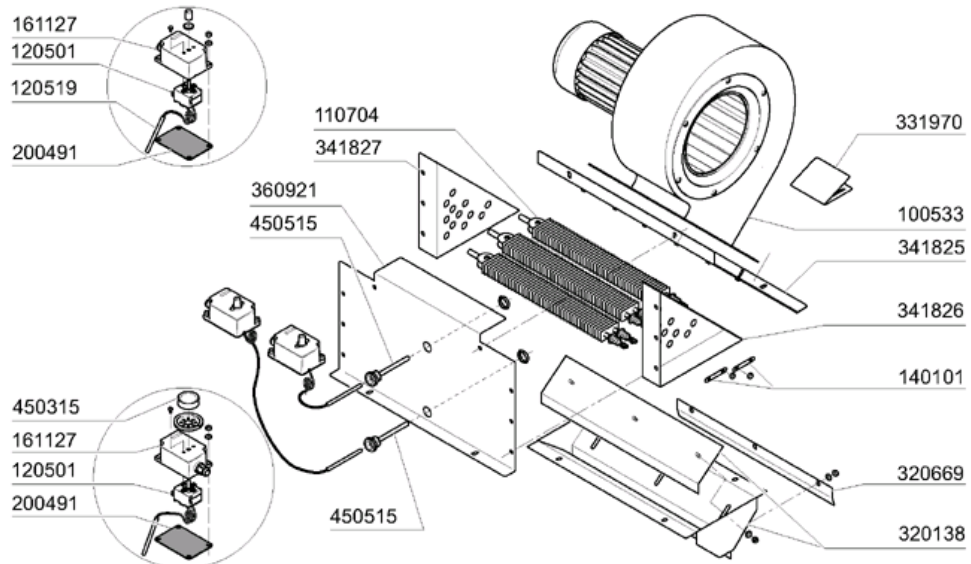
220/240 V 3 ~							
	KW	Teleruttore Contacteur Contactor Schaltschütz Contactor	A	Termica Termique Overload relay Termoausöser Termico	A	Fusibili Fusible Fuse Schmelzsicherung Fusible	A
M1 	0,12 0,15	120468	9		1÷1,6	130260	2
M7 	0,75	120468	9	120863	2,8÷4	130230	4
M12  M8	0,55	120468	9	120863	2,8÷4	130230	4
M14 	0,09	120468	9			130259	1

380/415 V 3 ~							
	KW	Teleruttore Contacteur Contactor Schaltschütz Contactor	A	Termica Termique Overload relay Termoausöser Termico	A	Fusibili Fusible Fuse Schmelzsicherung Fusible	A
M1 	0,12 0,15	120468	9	120858 120859	0,4÷0,63 0,63÷1	130260	2
M7 	0,75	120468	9	120862	1,7÷2,4	130230	4
M12  M8	0,55	120468	9	120860	1÷1,4	130260	2
M14 	0,09	120468	9			130259	1

		220/240 V 3 ~				380/415 V 3 ~							
		Fusibili Fusible Fuse Schmelzsicherung Fusible		Teleruttore Contacteur Contactor Schaltschütz Contactor		Termica Termique Overload relay Termoausöser Termico		Fusibili Fusible Fuse Schmelzsicherung Fusible		Teleruttore Contacteur Contactor Schaltschütz Contactor		Termica Termique Overload relay Termoausöser Termico	
Hp	Kw	A	cod.	A	cod.	A	cod.	A	cod.	A	cod.	A	cod.
0,2	0,15	4	130230	9	120468	1,00÷1,4	120860	2	130260	9	120468	0,4÷0,63	120858
1,5	1,1	8	130232	9	120468	4,5÷6,5	120864	4	130230	9	120468	2,8÷4	120863
2	1,5	8	130232	9	120468	6÷8,5	120865	6	130231	9	120468	4,5÷6,5	120864
3	2,2	12	130234	9	120468	7,5÷11	120866	6	130231	9	120468	4,5÷6,5	120864

01 - 2005 S. AG.

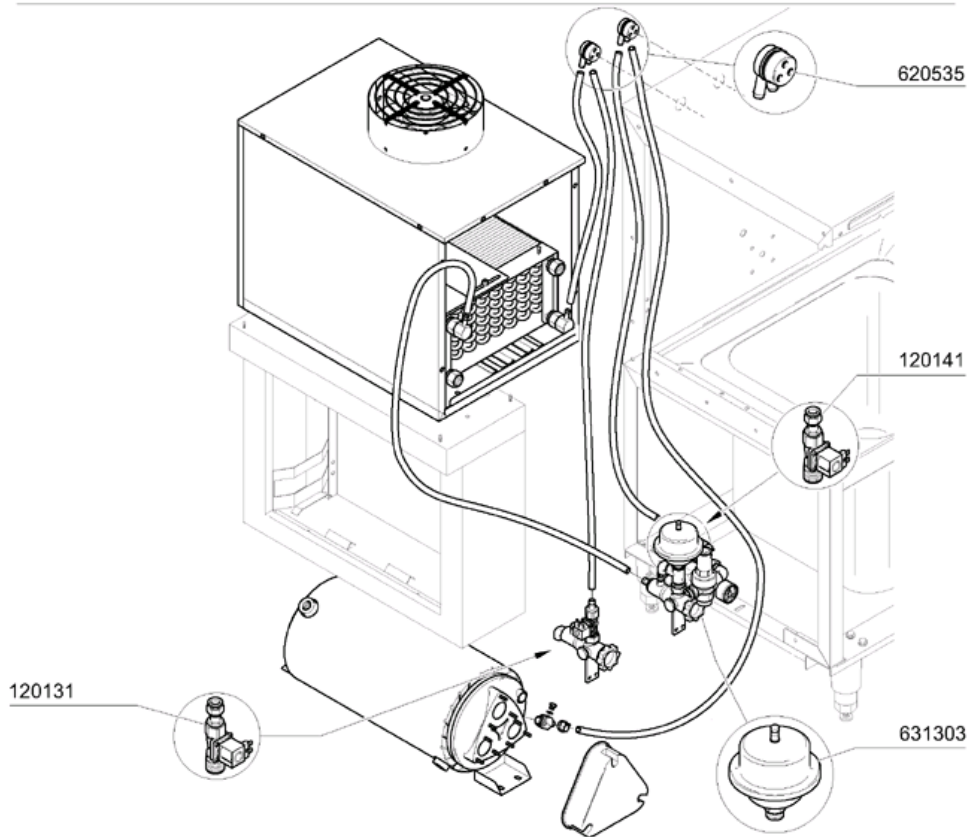
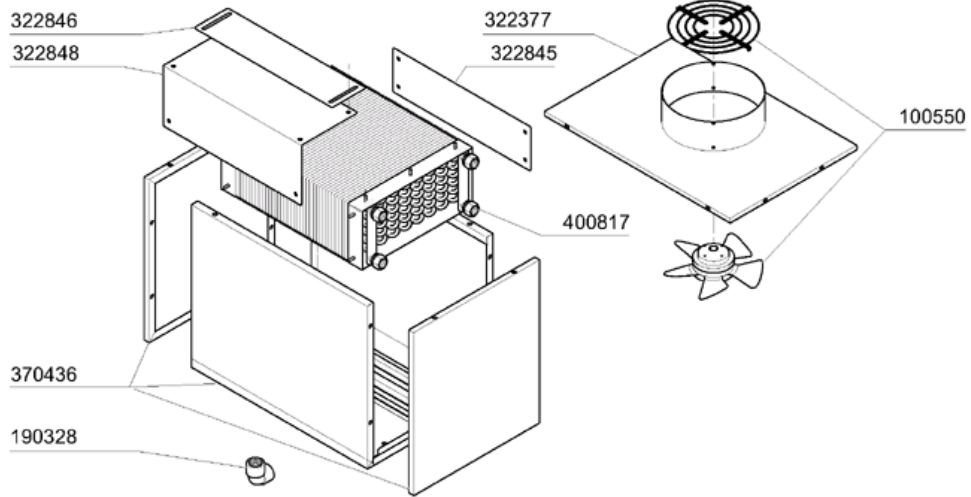
CODE	DESCRIPTION
120468	CONTACTOR ABB 9A 24V 50/60HZ
120858	OVERLOAD RELAY ABB 0,4-0,63A
120859	OVERLOAD RELAY ABB 0,63-1A
120860	OVERLOAD RELAY ABB 1-1,4A
120862	OVERLOAD RELAY ABB 1,7-2,4A
120863	OVERLOAD RELAY ABB 2,8-4A
120864	OVERLOAD RELAY ABB 4,5-6,5A
120865	OVERLOAD RELAY ABB 6-8,5A
120866	OVERLOAD RELAY ABB 7,5-11A
130230	FUSE 10,3X38 4A AM13004
130231	FUSE 10,3X38 6A AM13006
130232	FUSE 10,3X38 8A AM13008
130234	FUSE 10,3X38 12A AM13012
130259	FUSE 10,3X38 1A AM 13095
130260	FUSE 10,3X38 2A AM 13001



26 - Blower Dryer

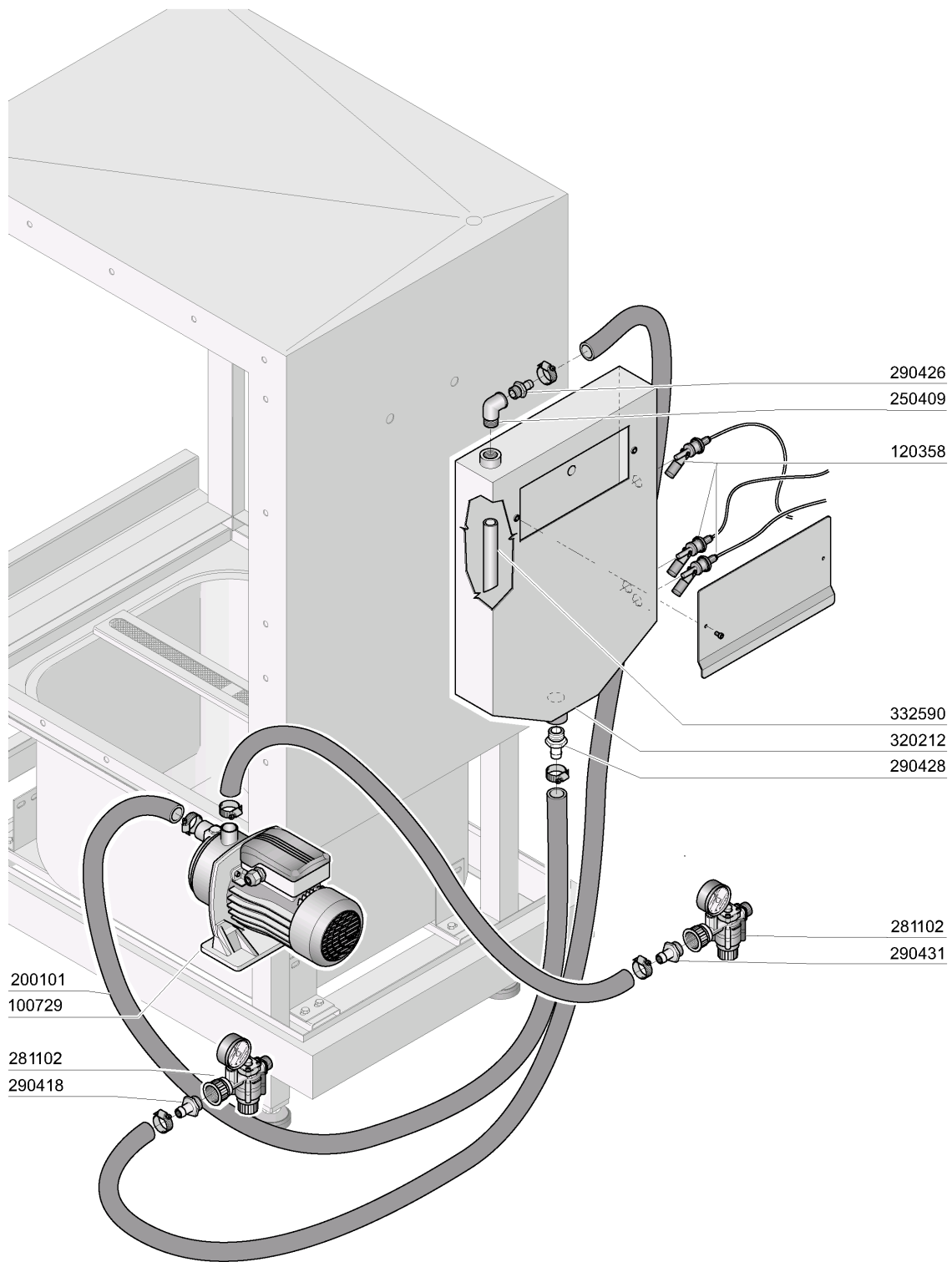
CODE	DESCRIPTION
100533	FAN HP 1 220-240-380-415V VRP2
110704	HEAT.ELEMENT/DRYING 1000W 220V
120501	THERMOSTAT 30/90ØC
120519	SECURITY THERMOSTAT 95-125Ø
130476	ROTATIVE EMERGENCY SWITCH
140101	BRASS CONNECT. PLATE HEAT.ELEM
161127	BOX FOR THERMOSTAT
161211	BOX
200491	BACK GASKET OF THERMOSTAT BOX
320138	DEFLECTOR F. DRYER
320669	FIXING PLATE
322378	COVER
331819	BRACKET FOR EMERGENCY PUSH BUT
331970	FAN SUPPORT
341825	DRYER FAN SUPPORT
341826	RIGHT SUPPORT
341827	LEFT SUPPORT
351362	INSULATED PANEL
360921	BACK PANEL FOR DRYER 3-4,5KW
370442	HOOD
450315	KNOB F. THERMOSTAT 90Ø
450515	STAINL.ST.SHIELD FOR 1 THERMOS

27 - Heat Recovery Unit Compact



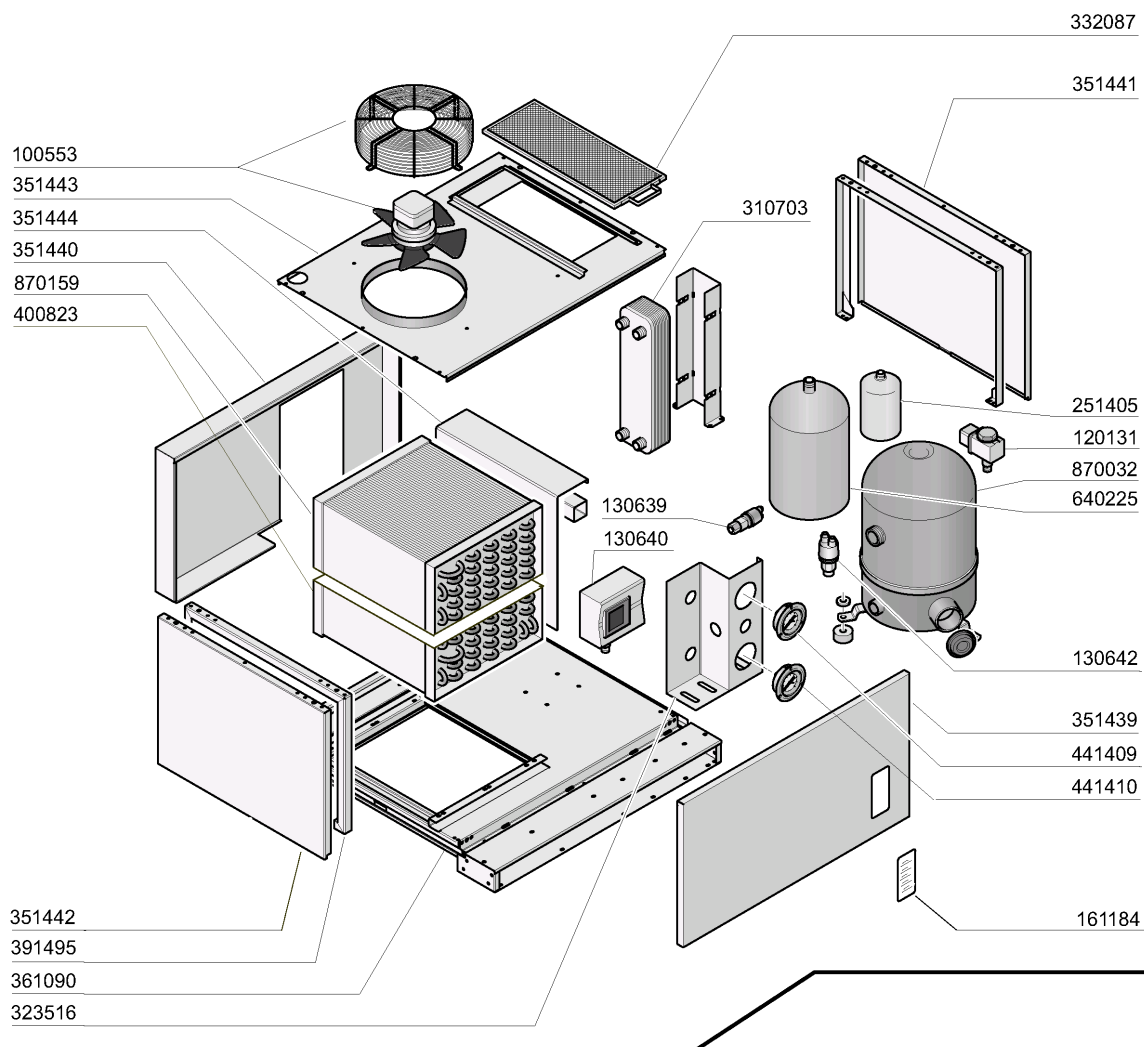
27 - Heat Recovery Unit Compact

CODE	DESCRIPTION
100550	FAN FOR HEAT RECOVERY UNIT
120131	SOLEN. L182Q31-ZB10A 1/2"24V
120141	SOLEN.VALVE METAL.328000 D.1/2
190328	DRAIN 3/4"
322377	COVER
322845	COVER
322846	COVER
322848	COVER
370436	HOOD
400817	BATTERY FOR STEAM CONDENSER +
620535	VACUUM BREAKER
631303	HYDRAULIC AIR VESSEL FOR HEAT

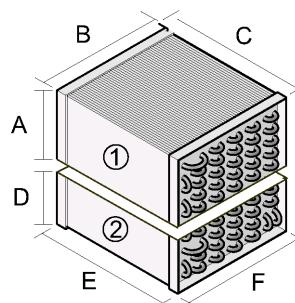


28 - Break tank_TR

CODE	DESCRIPTION
100729	PUMP HP 0,4 220/240V 2HM3T
120358	FLOATING MAGN.SWITCH
200101	RUBBER TUBE 25X35
250409	INOX ELL FF 1/2"
281102	1/2" ADJ VALVE C/W GAUGE TYPE
290418	NIPPLE 1/2"
290426	NIPPLE 1/2"
290428	NIPPLE M.3/4"
290431	NIPPLE 1/2"
320212	BREAK TANK BOX
332590	STAINLESS STEEL HOSE FOR B.T.

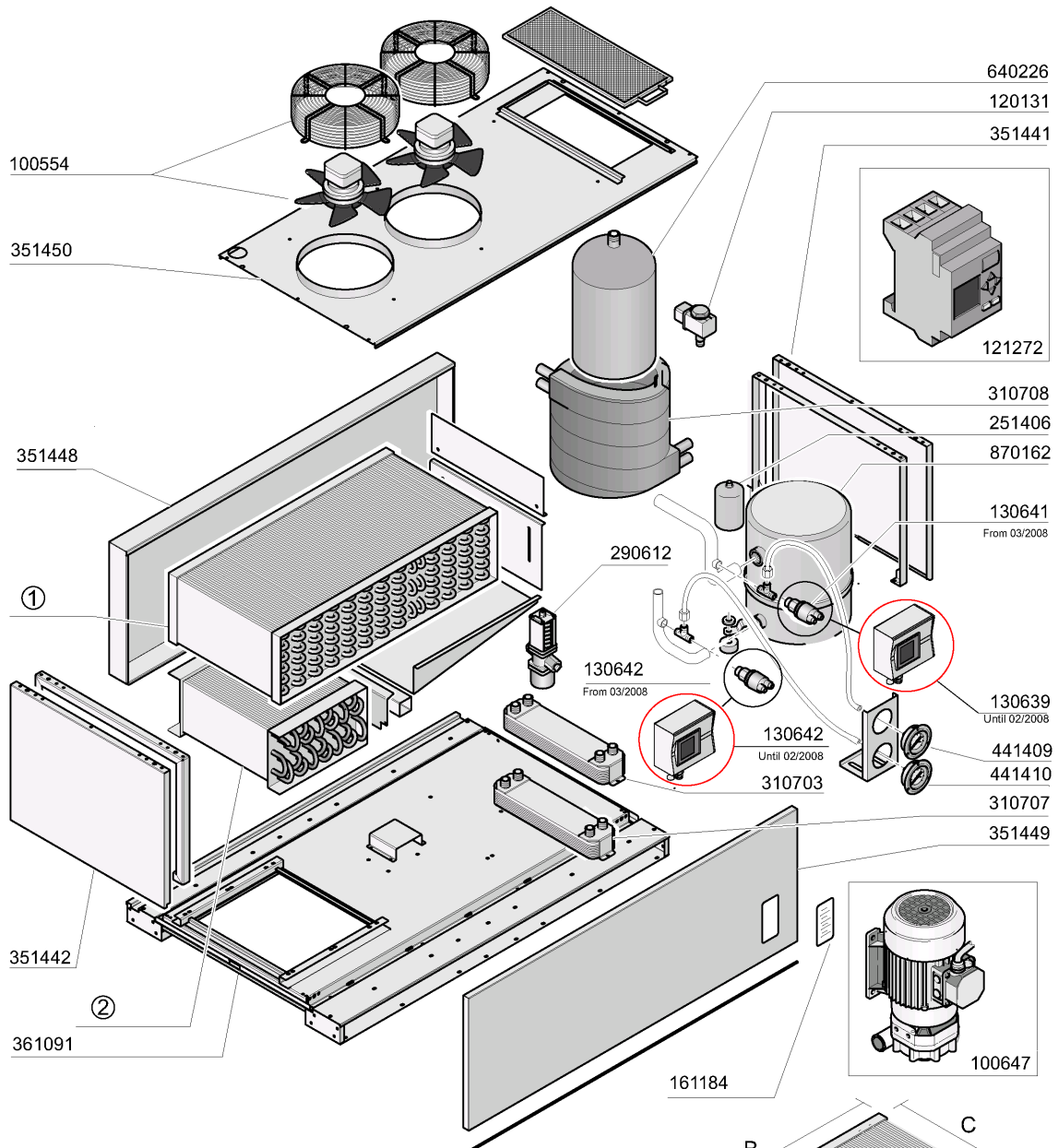


- ① - A x B x C = 298 x 423 x 490 = CODE 870159/RIV
- ① - A x B x C = 230 x 400 x 450 = CODE 870159
- ② - D x E x F = 142 x 490 x 423 = CODE 400823/RIV
- ② - D x E x F = 140 x 450 x 450 = CODE 400823



29 - Heat pumps WP4

CODE	DESCRIPTION
100553	WP4 FAN
120131	SOLEN. L182Q31-ZB10A 1/2"24V
130639	LOW PRESSURE SWITCH WP
130640	HIGH PRESSURE SWITCH WP
130642	PRESSURE SWITCH WP4-LOW PRESS.
161184	MANOMETER INSPECTION GLASS
251405	FILTER WP4
310703	RINSE WATER CONDENSOR
323516	MANOMETER SUPPORT
332087	WP4 COVER FILTER
351439	FRONT PANEL 750 MM
351440	BACK PANEL 750MM
351441	ENTRY PANEL 750MM
351442	EXIT PANEL 750MM
351443	UPPER PANEL 750MM
351444	PARZIALIZZATORE WP 750MM
361090	BASEMENT WP4
391495	LEFT SIDE HOOD
400823	BATTERY WP4
400823/RIV	BATTERY WP4
441409	MANOMETRO ASPIRAZIONE (WP)
441410	MANOMETRO CONDENSAZIONE (WP)
640225	LIQUID GAS CONTAINER FOR WP4
870032	COMPRESSOR WP4
870159	EVAPORATOR WP4
870159/RIV	EVAPORATOR WP4

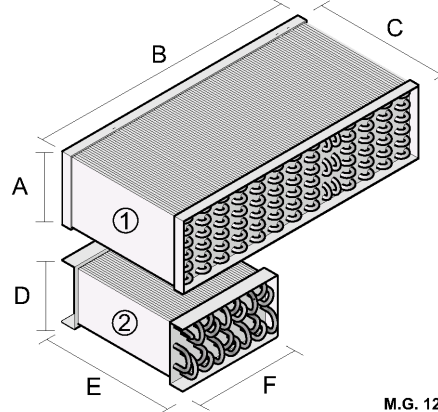


① A x B x C = 250 x 800 x 460 = CODE 870164/RIV

① A x B x C = 175 x 750 x 450 = CODE 870164

② D x E x F = 190 x 460 x 460 = CODE 400824/RIV

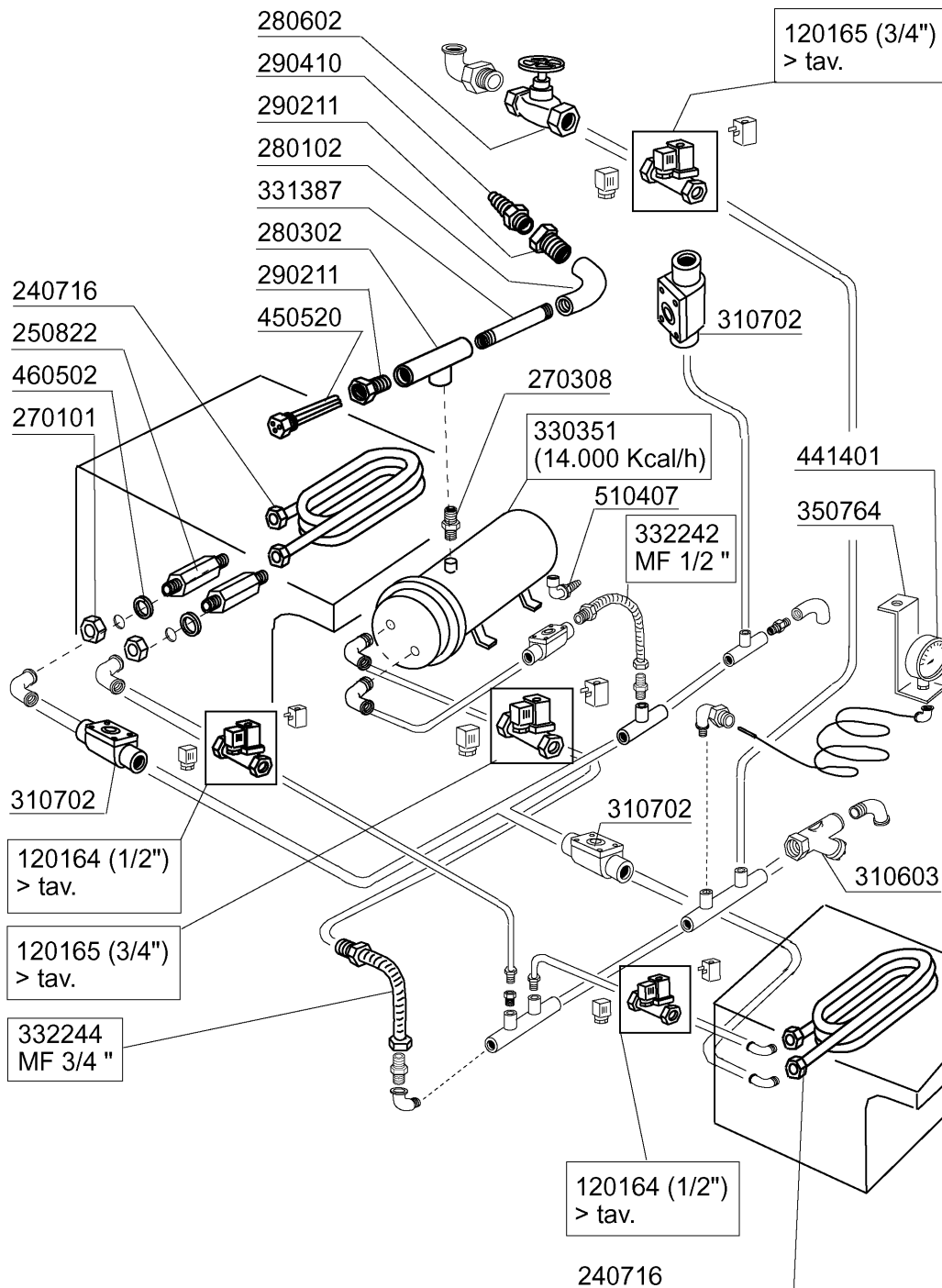
② D x E x F = 175 x 450 x 450 = CODE 400824



M.G. 12/09

30 - Heat pumps WP6

CODE	DESCRIPTION
100554	WP6/WP8 FAN
100647	PUMP HP 0,20 220/240/3 4226
120131	SOLEN. L182Q31-ZB10A 1/2"24V
121272	PLC
130639	LOW PRESSURE SWITCH WP
130641	PRESSOS WP4 LOW PRESS 2.2 BAR
130642	PRESSURE SWITCH WP4-LOW PRESS.
161184	MANOMETER INSPECTION GLASS
251406	FILTER WP6-WP8
290612	VALVOLA PRESSOSTATICA(WP6-WP8)
310703	RINSE WATER CONDENSOR
310707	CONDENS.GAS/ACQUA BY-PASS (WP)
310708	CONDENSER (WP)
351441	ENTRY PANEL 750MM
351442	EXIT PANEL 750MM
351448	BACK PANEL 1250MM WP
351449	1250MM WP FRONT PANEL
351450	UPPER PANEL 1250MM
361091	BASEMENT WP6
400824	BATTERY WP6
400824/RIV	BATTERY WP6
441409	MANOMETRO ASPIRAZIONE (WP)
441410	MANOMETRO CONDENSAZIONE (WP)
640226	LIQUID GAS CONTAINER FOR WP6-8
870162	COMPRESSOR WP6
870164	EVAPORATOR WP6
870164/RIV	EVAPORATOR WP6



10 - 1998 | S.A.G.

31 - Steam version

CODE	DESCRIPTION
120164	SOLE.N.VALVE ST.24V50HZ 1/2"
120165	SOLE.N.VALVE ST.24V50HZ 3/4"
240716	STEAM COIL G66-S3
250822	EXTENSION 1/2"
270101	HEXAGON LOCK NUT 1/2"
270308	NIPPLES 3/4"
280102	ELL FF 3/4"
280302	HOSE CLAMPS STRAIGHT 3/4"
280602	GATE VALVE 3/4" BRASS
290211	NIPPLE 3/4"-1/2" (270311)
290410	NIPPLE 1/2"
310603	STRAINERS JU 1" MOD.45
310702	STEAM TRAP 1/2" MK 25/3
330351	STEAM BOILER 14000 KCAL/H
331387	HOSE 3/4"
332242	HOSE 1/2"-130X220-
332244	HOSE 3/4"-130X220-
350764	BRACKET
441401	PRESSURE GAUGE 60 SCALO-4CR1/4
450520	THERMOSTAT SHIELD FOR 3 THERMO
460502	GASKET 30X21X2
510407	NIPPLE FOR BOILER N S

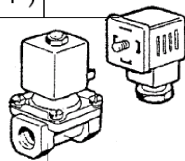
Low pressure

150034 (1/2")
150033 (1" - 3/4")

630976 (1")
630972 (1/2" - 3/4")

120164 (1/2")
120165 (3/4")
120166 (1")

630627 (1/2")
630628 (3/4")
630629 (1")



0 ÷ 2 bar

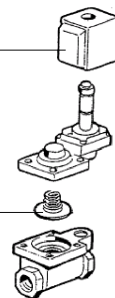
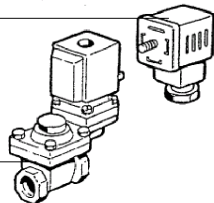
High pressure

150033

630972 (1")
630973 (3/4")
630973 (1/2 ")

120163 (1")
120162 (3/4")
120161 (1/2 ")

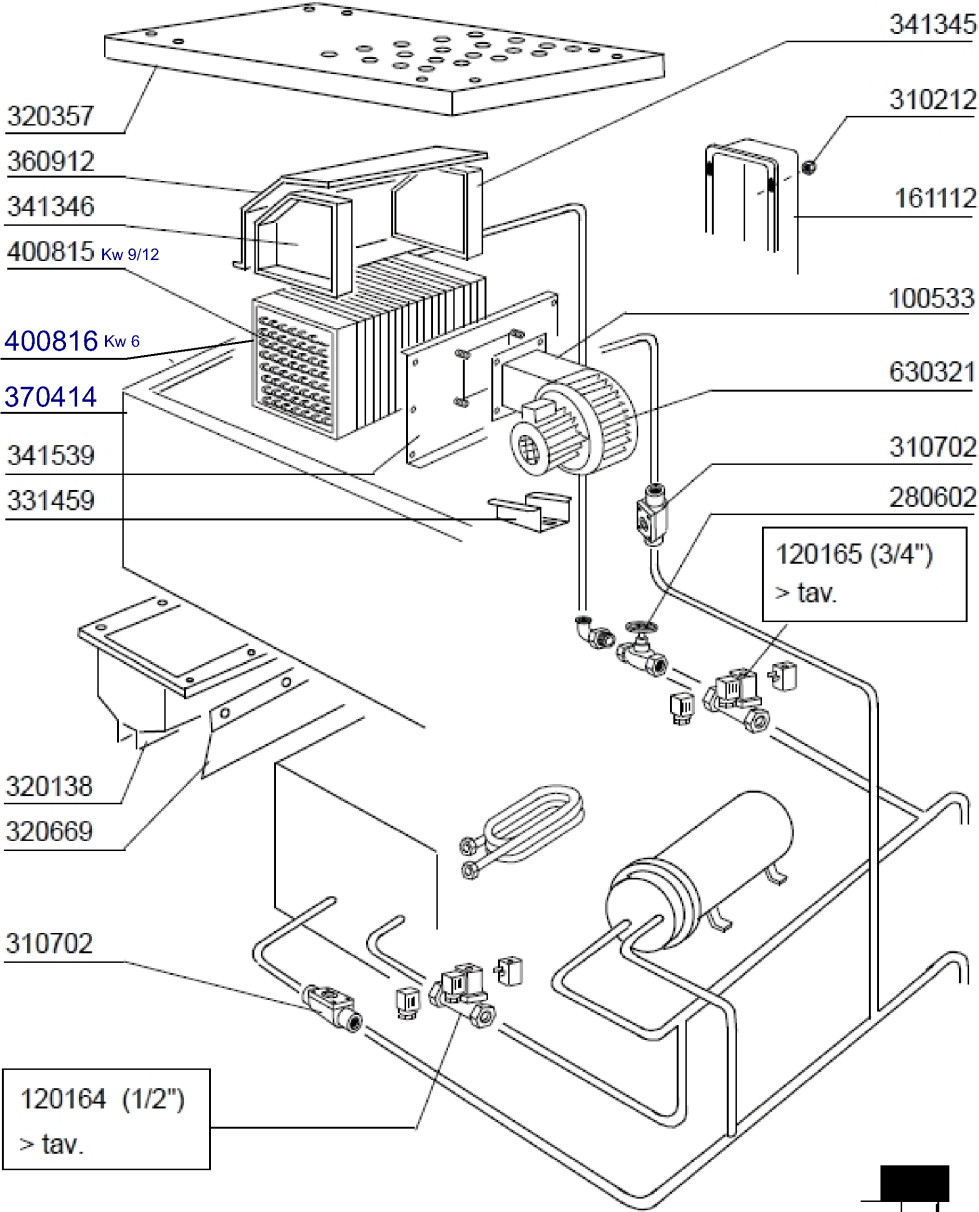
630626 (1")
630625 (3/4")
630624 (1/2")



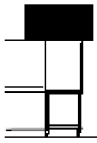
1 ÷ 3 bar

32 - Solenoid valve

CODE	DESCRIPTION
120161	SOLEN.VAL.ST.L145R1Z734A 1/2
120162	SOLENOID VALVE L145R1Z734A 3/4
120163	SOLEN.VAL.ST.L145R1Z234A 1"24V
120164	SOLEN.VALVE ST.24V50HZ 1/2"
120165	SOLEN.VALVE ST.24V50HZ 3/4"
120166	STEAM SOLEN.VALVE 1" 24V-50
150033	CONNEC.F.SOLEN.VALVE 182.09.N
150034	CONNEC.F.SOLEN.VALVE 122.09.N
630624	KIT F.SOLEN.VALVE L145 1/2 G26
630625	KIT F.SOLEN.VALVE
630626	KIT FOR SOLENOID VALVE 145 1"
630627	KIT F.SOLEN.V. L153D1 1/2"
630628	KIT F.SOLEN.V.L153D1 3/4"
630629	KIT SOLENOID VALVE 1" STEAM L1
630972	COIL Z534A/V.24-L145A-3/4
630973	COIL Z614A/V.24-L145-3/4 A
630976	COIL Z114A/V24/50HZ L153-1"



04 - 2009 M.G.



33 - Steam Blower Dryer

CODE	DESCRIPTION
100533	FAN HP 1 220-240-380-415V VRP2
120164	SOLE.N.VALVE ST.24V50HZ 1/2"
120165	SOLE.N.VALVE ST.24V50HZ 3/4"
161112	BACK COVER CHANNEL 300 S N
280602	GATE VALVE 3/4" BRASS
310212	BLIND NUT M6 BLACK NYLON
310702	STEAM TRAP 1/2" MK 25/3
320138	DEFLECTOR F. DRYER
320357	DRYER COVER
320669	FIXING PLATE
331459	BRACKET FOR DRYING VENTILATOR
341345	RIGHT PANEL
341346	LEFT PANEL
341539	INSULATED HOOD F.PREWASH 600MM
360912	BACK PANEL
370414	DRYING MODULE
400815	BATTERY FOR DRYING (9-12KW) SE
400816	BATTERY FOR DRYING (6KW) S
630321	FAN IMPELLOR FOR C 100533 1HP